

F

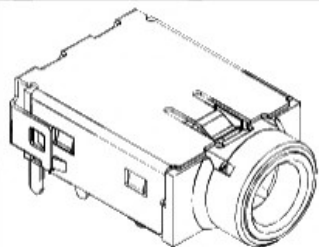
E

D

C

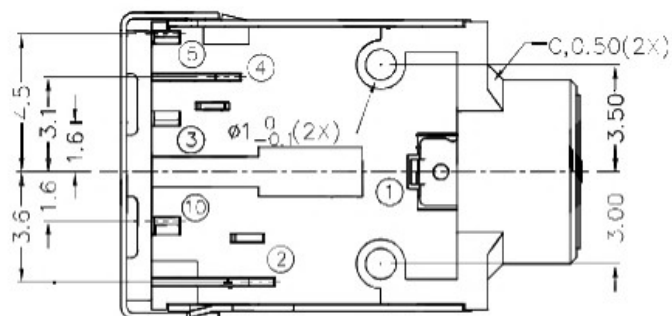
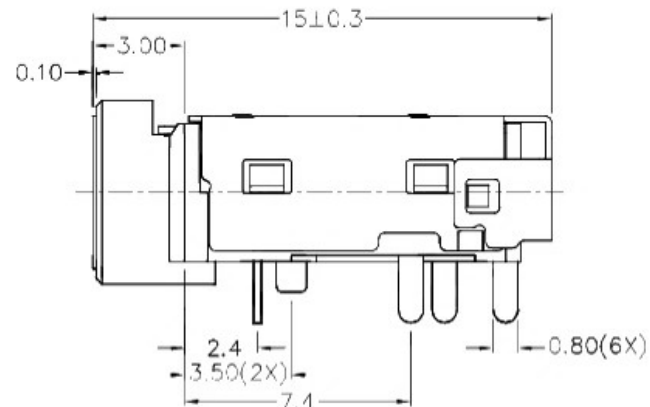
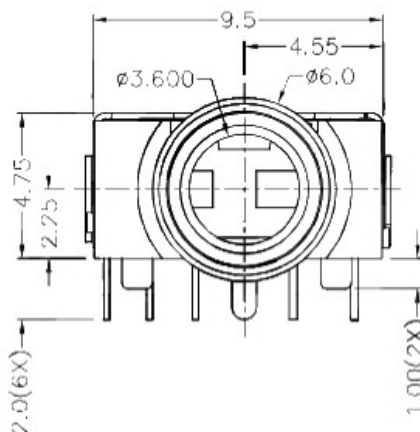
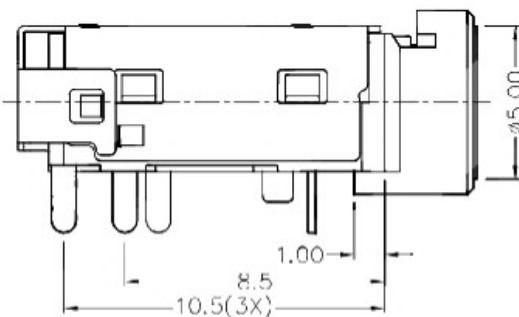
B

A



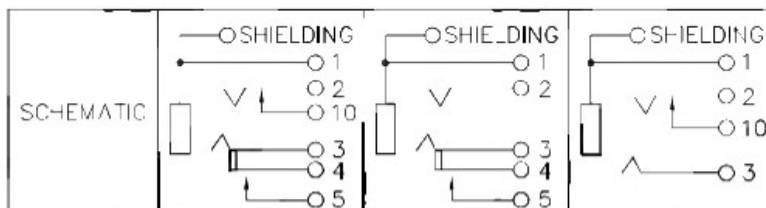
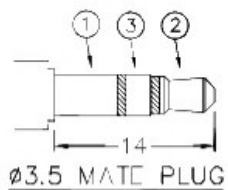
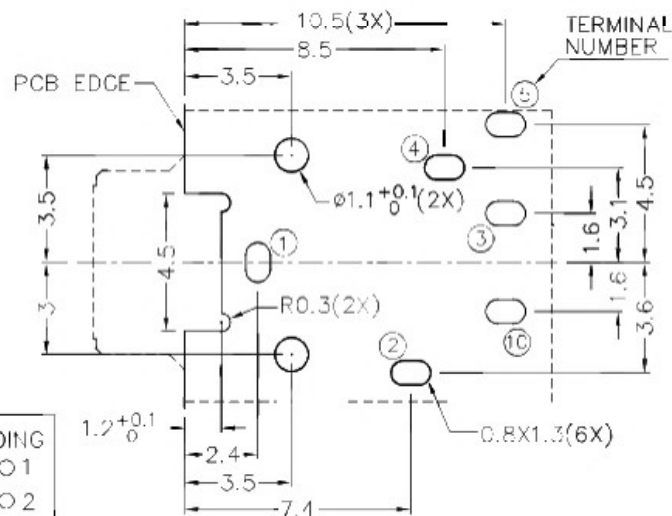
RoHS
Compliant

ZCNF	SYMBOL	REVISION	APPROVAL	DATE



* MATERIAL

TERMINAL 1 : COPPER ALLOY
 TERMINAL 2 : COPPER ALLOY
 TERMINAL 3 : COPPER ALLOY
 TERMINAL 4 : COPPER ALLOY
 TERMINAL 5 : COPPER ALLOY
 TERMINAL 10 : BRASS
 SHIELD : COPPER ALLOY
 BUSHING : BRASS
 HOUSING : HIGH TEMP. PLASTIC



RECOMMENDED PCB LAYOUT
 TOLERANCE: ±0.05
 (TOP VIEW)

广东科斯达开关厂

DESIGN	T.Y.LI	DATE	14-1-2009	SCALE	4:1
DRAWING	J.CH.OJ	DATE	5-1-2017	MATERIAL	*
CHECK	H.L.TAN	DATE	5-1-2017	DWG. NO.	T7\S-4396MS-A/1.0
APPROVAL		DATE		SHEET	

PART NAME	3.5mm STEREO JACK	TOLERANCE UNLESS	0.0±0.2	UNIT:	mm
PART NO.		OTHERWISE SPECIFIED:	0.00±0.1		

F

E

D

C

B

A