

F

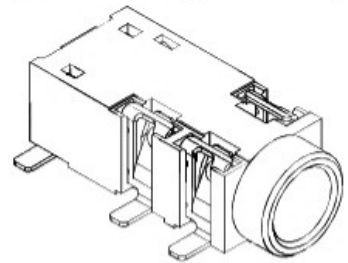
E

D

C

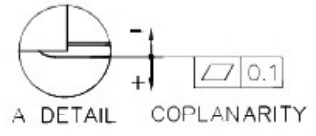
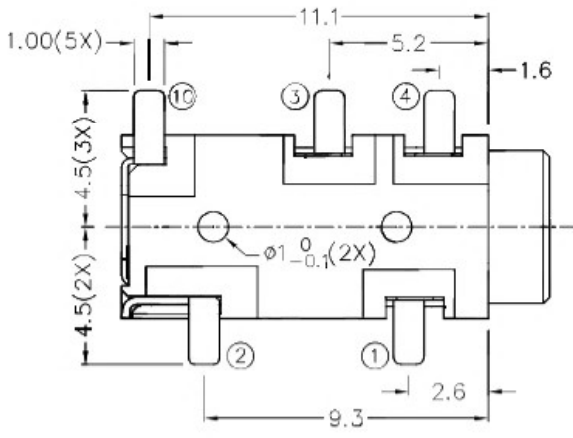
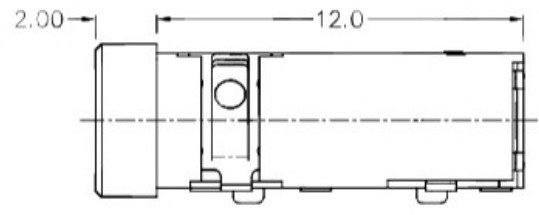
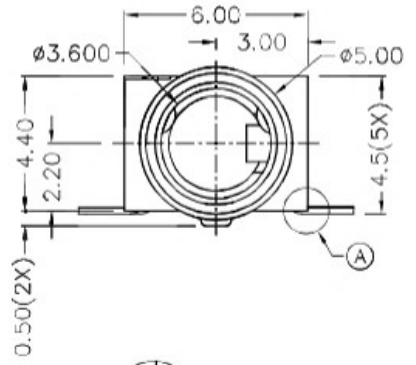
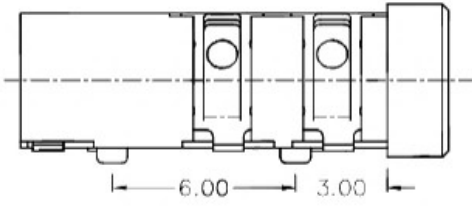
B

A



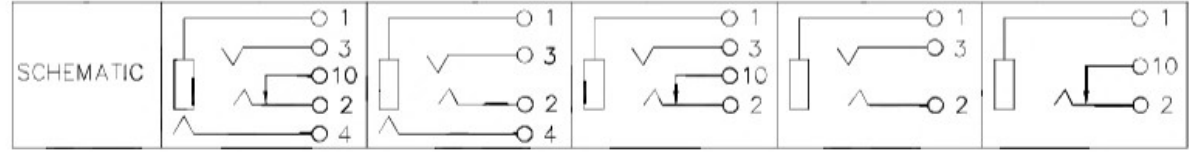
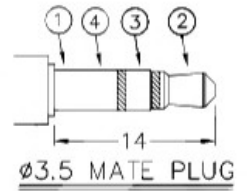
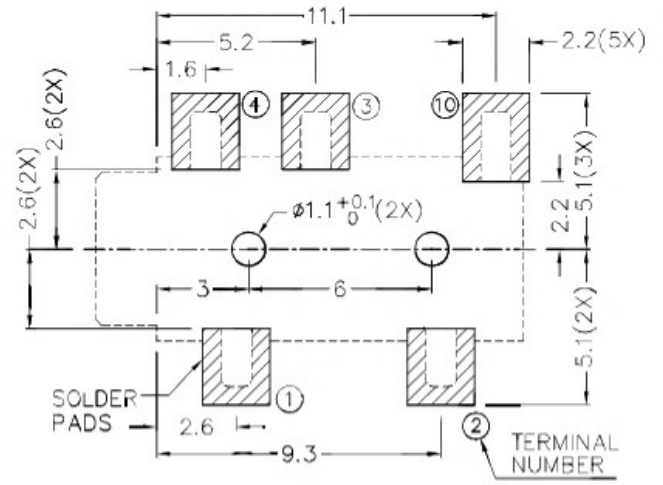
RoHS
Compliant

ZONE	SYMBOL	REVISION	APPROVAL	DATE



* MATERIAL

- TERMINAL 1 : COPPER ALLOY
- TERMINAL 2 : COPPER ALLOY
- TERMINAL 3 : COPPER ALLOY
- TERMINAL 4 : COPPER ALLOY
- TERMINAL 10: COPPER ALLOY
- HOUSING : HIGH TEMP. PLASTIC



RECOMMENDED PCB LAYOUT
TOLERANCE: ±0.05
(TOP VIEW)

广东科斯达开关厂

DESIGN	L.L.ZHANG	DATE	23-4-2005	SCALE	4:1
DRAWING	T.Y.LI	DATE	30-12-2016	MATERIAL	*
CHECK	H.L.TAN	DATE	30-12-2016	DWG. NO.	TZ\SH3860-A/1.0
APPROVAL		DATE		SHEET	

PART NAME	3.5mm SMD STEREO JACK	TOLERANCE UNLESS	0.0±0.2	UNIT:	mm
PART NO.		OTHERWISE SPECIFIED:	0.00±0.1 0.000±0.05		

F

E

D

C

B

A