

F

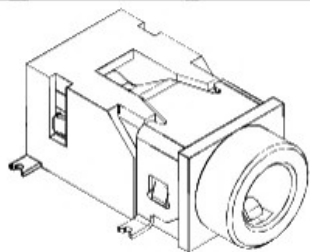
E

D

C

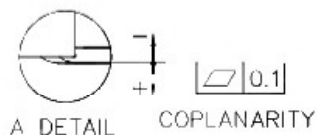
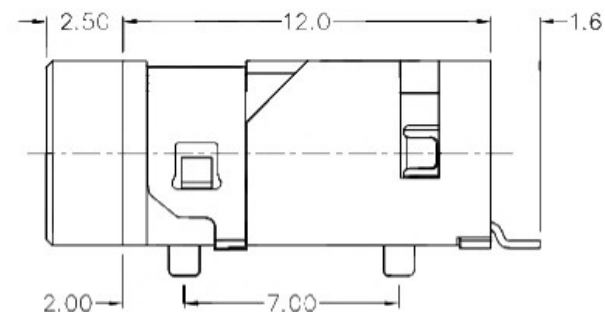
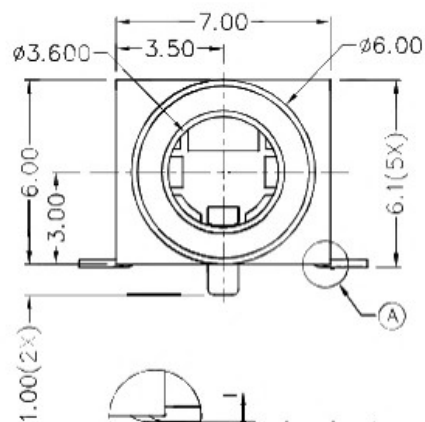
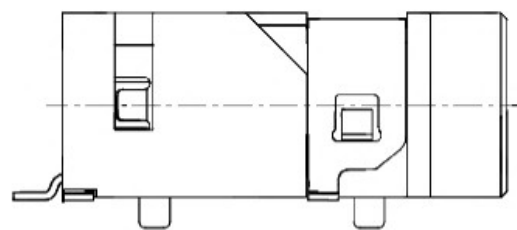
B

A



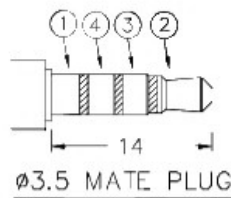
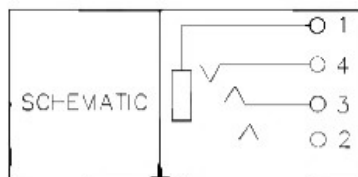
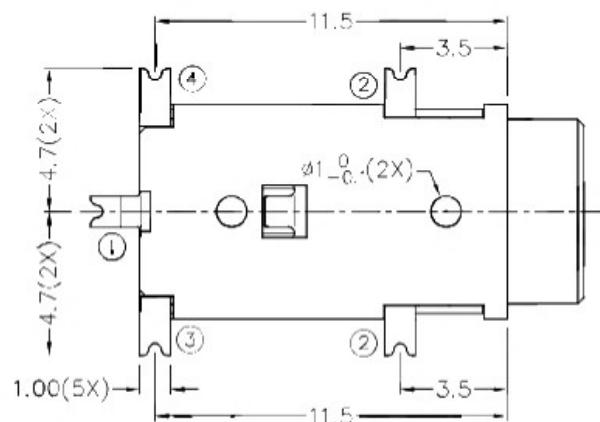
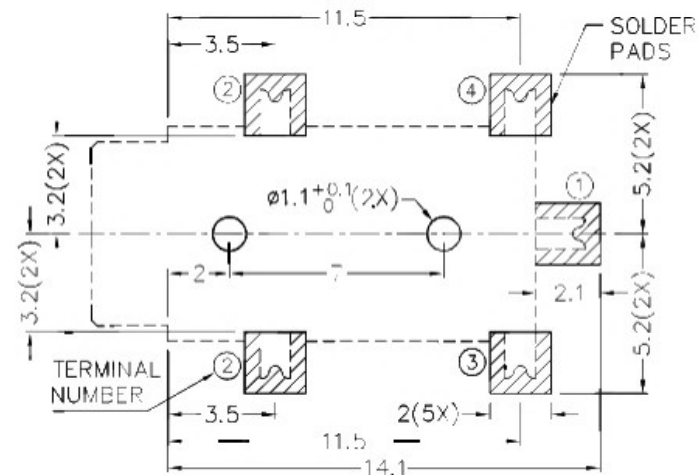
ZONE	SYMBOL	REVISION	APPROVAL	DATE

RoHS
Compliant



* MATERIAL

TERMINAL 1 : COPPER ALLOY
 TERMINAL 2 : COPPER ALLOY
 TERMINAL 3 : COPPER ALLOY
 TERMINAL 4 : COPPER ALLOY
 HOUSING : HIGH TEMP. PLASTIC



广东科斯达开关厂

PART NAME	3.5mm SMD STEREO JACK	TOLERANCE UNLESS	0.0±0.2	UNIT:	mm
PART NO.		OTHERWISE SPECIFIED:	0.00±0.1		

DESIGN	G.P.YI	DATE	13-6-2009	SCALE	4:1
DRAWING	J.CH.OU	DATE	11-1-2017	MATERIAL	*
CHECK	T.Y.LI	DATE	11-1-2017	DWG. NO.	TZ\SH511D-A/1.0
APPROVAL		DATE		SHEET	

F

E

D

C

B

A