

F

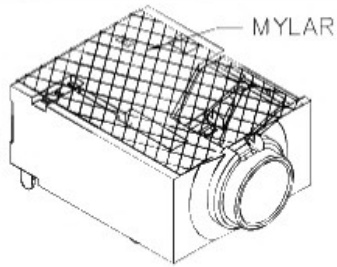
E

D

C

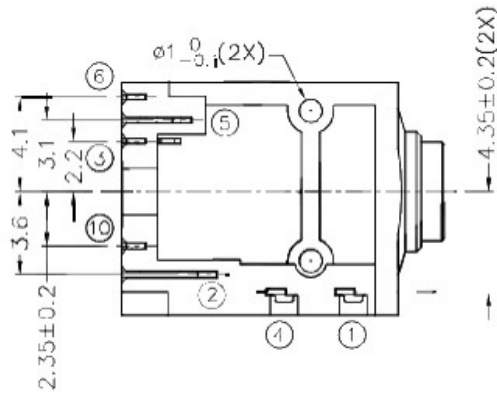
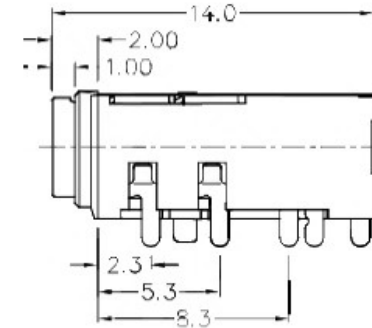
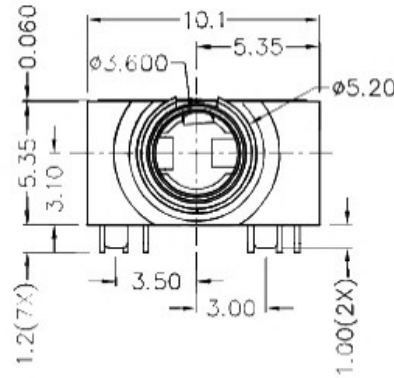
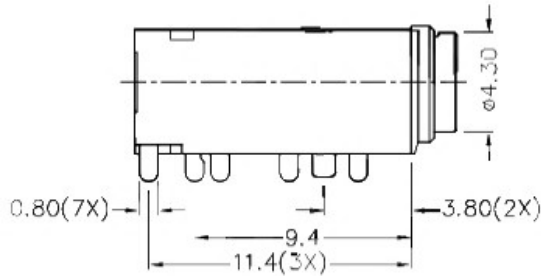
B

A



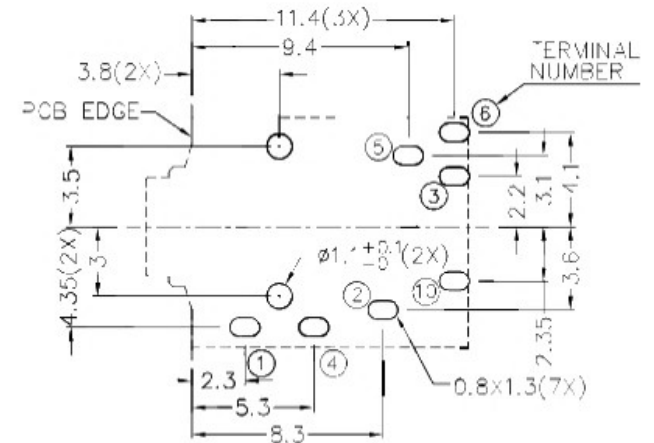
RoHS  
Compliant

ZCNE	SYMBOL	REVISION	APPROVAL	DATE

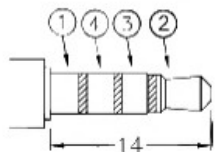
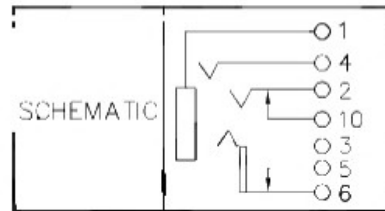


\* MATERIAL

- TERMINAL 1 : COPPER ALLOY
- TERMINAL 2 : COPPER ALLOY
- TERMINAL 3 : COPPER ALLOY
- TERMINAL 4 : COPPER ALLOY
- TERMINAL 5 : COPPER ALLOY
- TERMINAL 6 : COPPER ALLOY
- TERMINAL 10: BRASS
- MYLAR : POLYIMIDE
- HOUSING : HIGH TEMP. PLASTIC



RECOMMENDED PCB LAYOUT  
TOLERANCE: ±0.05  
(TOP VIEW)



ø3.5 MATE PLUG

广东科斯达开关厂

DESIGN	CH.XIONG	DATE	16-5-2012	SCALE	3:1
DRAWING	H.Q.ZHOU	DATE	18-1-2017	MATERIAL	*
CHECK	T.Y.LI	DATE	18-1-2017	DWG. NO.	TZ\3-1548T1-2-A/1.0
APPROVAL		DATE		SHEET	

F

E

D

C

B

A