

F

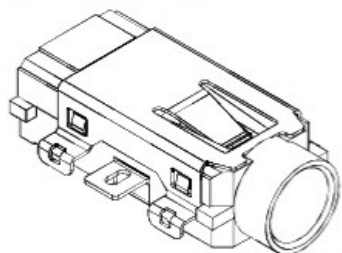
E

D

C

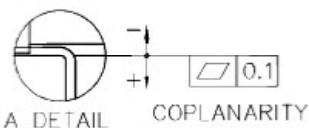
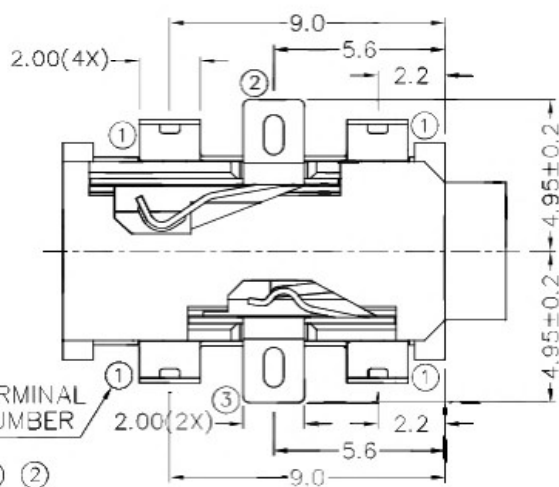
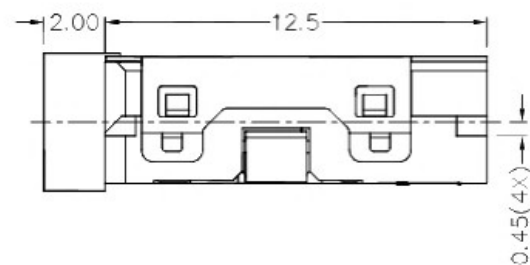
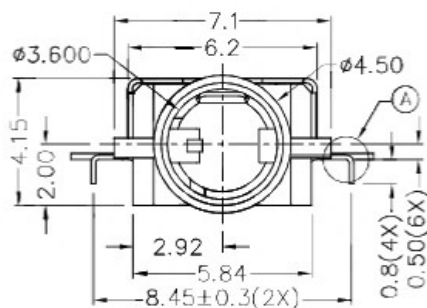
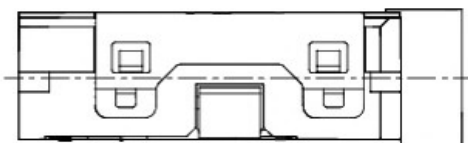
B

A



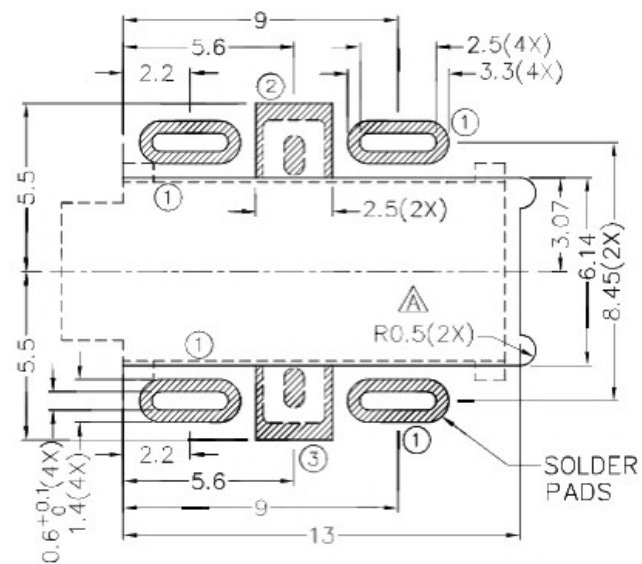
RoHS
Compliant

ZONE	SYMBOL	REVISION	APPROVAL	DATE
A3	△	DIM. ADDED	J.X.KUANG	30-7-2019

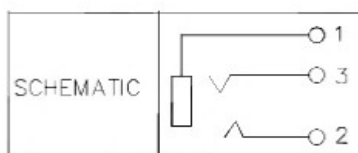
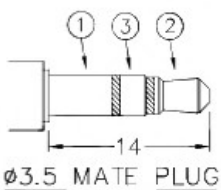


* MATERIAL

TERMINAL 1 : STAINLESS STEEL
 TERMINAL 2 : COPPER ALLOY
 TERMINAL 3 : COPPER ALLOY
 HOUSING : HIGH TEMP. PLASTIC



RECOMMENDED PCB LAYOUT
 TOLERANCE: ±0.05
 (TOP VIEW)



 广东科斯达开关厂

PART NAME	3.5mm SMD STEREO JACK	TOLERANCE UNLESS	0.0±0.2	UNIT: 
PART NO.		OTHERWISE SPECIFIED:	0.00±0.1 0.000±0.05	

DESIGN	T.Y.LI	DATE	22-8-2007	SCALE	4:1
DRAWING	J.H.ZHOU	DATE	30-7-2019	MATERIAL	*
CHECK	H.L.TAN	DATE	30-7-2019	DWG. NO.	TZ\SH503D-A/1.1
APPROVAL		DATE		SHEET	

F

E

D

C

B

A