

F

E

D

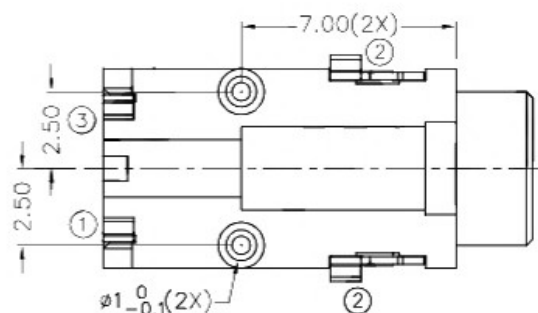
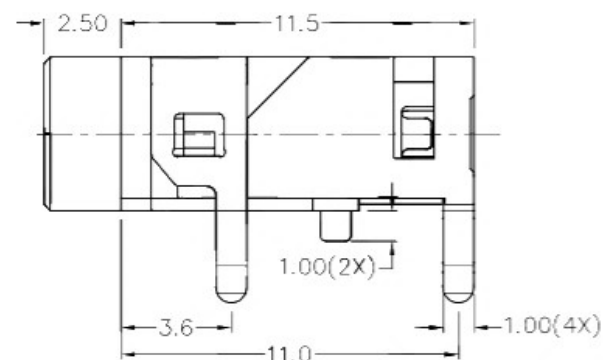
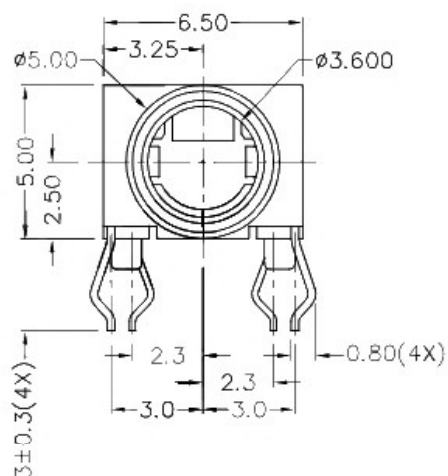
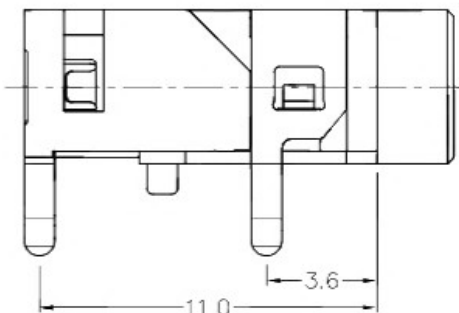
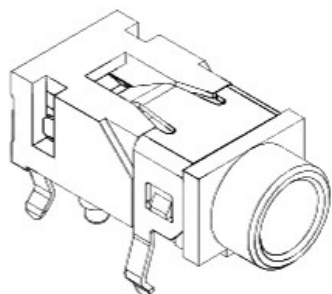
C

B

A

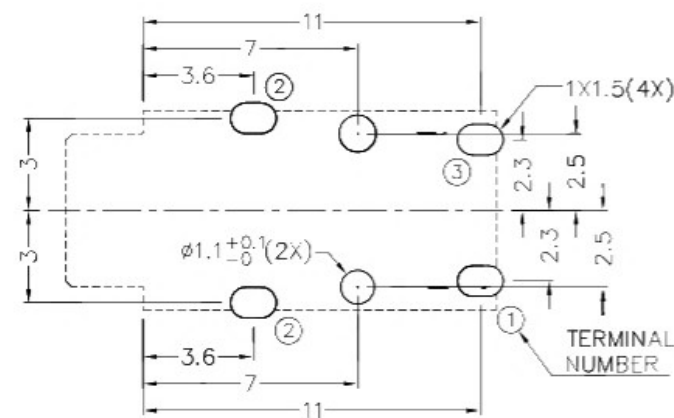
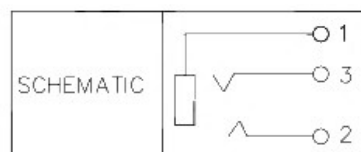
ZONE	SYMBOL	REVISION	APPROVAL	DATE

RoHS
Compliant

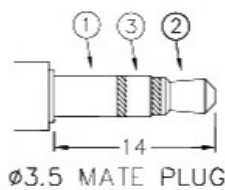


* MATERIAL

TERMINAL 1 : COPPER ALLOY
 TERMINAL 2 : COPPER ALLOY
 TERMINAL 3 : COPPER ALLOY
 HOUSING : THERMOPLASTIC



RECOMMENDED PCB LAYOUT
 TOLERANCE: ±0.05
 (TOP VIEW)



 广东科斯达开关厂

DESIGN	J.X.KUANG	DATE	7-10-2003	SCALE	4:1
DRAWING	CH.XIONG	DATE	16-12-2016	MATERIAL	*
CHECK	T.Y.LI	DATE	16-12-2016	DWG. NO.	TZ\SH373-B/1.0
APPROVAL		DATE		SHEET	

PART NAME	3.5mm STEREO JACK	TOLERANCE UNLESS	0.0±0.2	UNIT:	mm
PART NO.		OTHERWISE SPECIFIED:	0.00±0.1 0.000±0.05		

F

E

D

C

B

A