

F

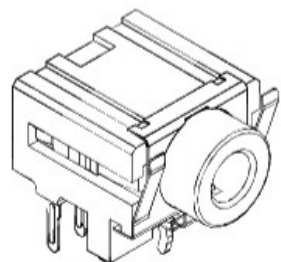
E

D

C

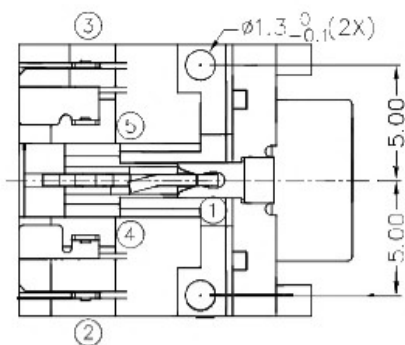
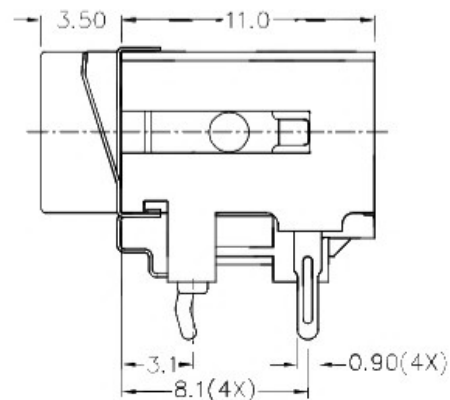
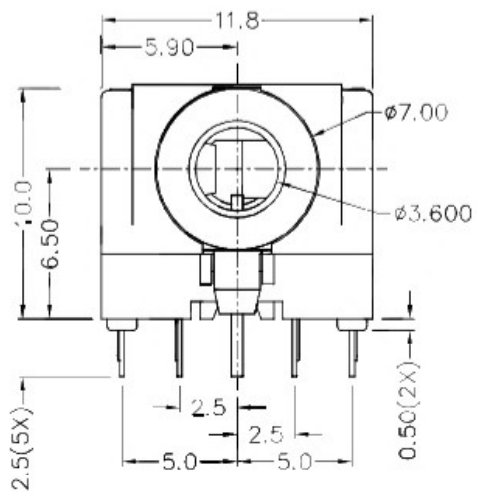
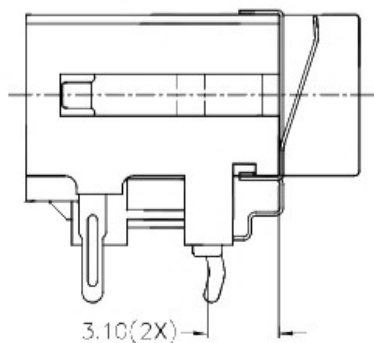
B

A



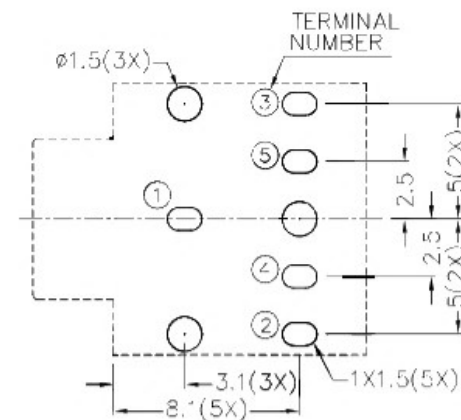
RoHS
Compliant

ZONE	SYMBOL	REVISION	APPROVAL	DATE
		INSULATOR MATERIAL CHANGED TO HIGH TEMP. PLASTIC.	J.X.KUANG	13-11-2017

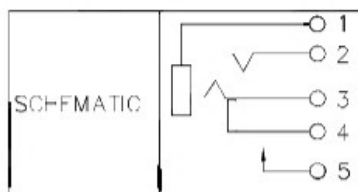
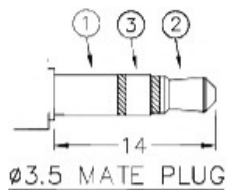


* MATERIAL

TERMINAL 1 : BRASS
 TERMINAL 2 : COPPER ALLOY
 TERMINAL 3 : COPPER ALLOY
 TERMINAL 4 : COPPER ALLOY
 TERMINAL 5 : COPPER ALLOY
 SHIELD : STAINLESS STEEL
 HOUSING : THERMOPLASTIC
 INSULATOR : HIGH TEMP. PLASTIC



RECOMMENDED PCB LAYOUT
 TOLERANCE: ±0.05
 (TOP VIEW)



广东科斯达开关厂

DESIGN	T.Y.LI	DATE	4-12-2006	SCALE	3:1
DRAWING	H.Q.ZHOU	DATE	13-11-2017	MATERIAL	*
CHECK	H.L.TAN	DATE	13-11-2017	DWG. NO.	Z\SH397S-B/2.0
APPROVAL		DATE		SHEET	

PART NAME	3.5mm STEREO JACK	TOLERANCE UNLESS	0.0±0.2	UNIT:	mm
PART NO.		OTHERWISE SPECIFIED:	0.00±0.1 0.000±0.05		

F

E

D

C

B

A