

F

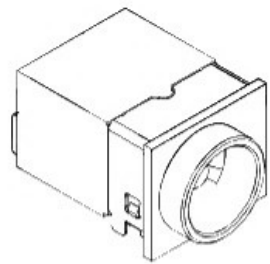
E

D

C

B

A

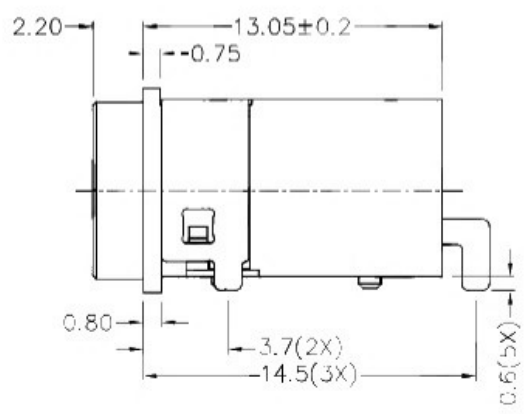
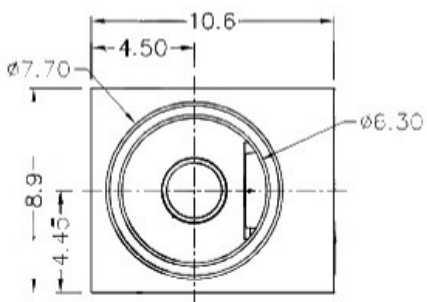
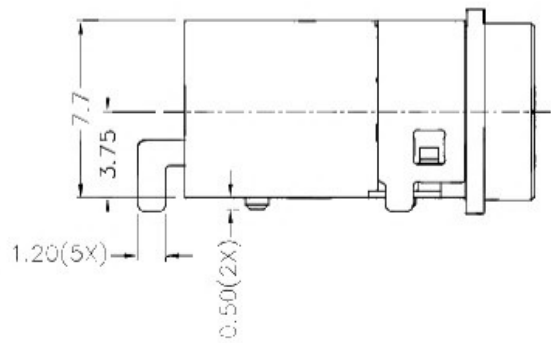


RoHS  
Compliant

ZONE	SYMBOL	REVISION	APPROVAL	DATE

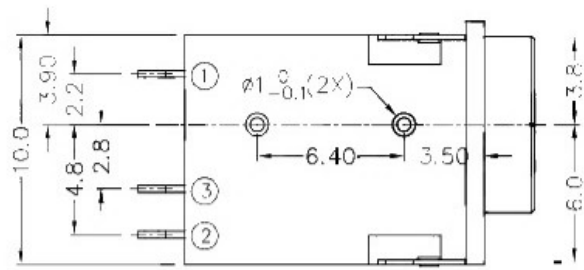
1

1



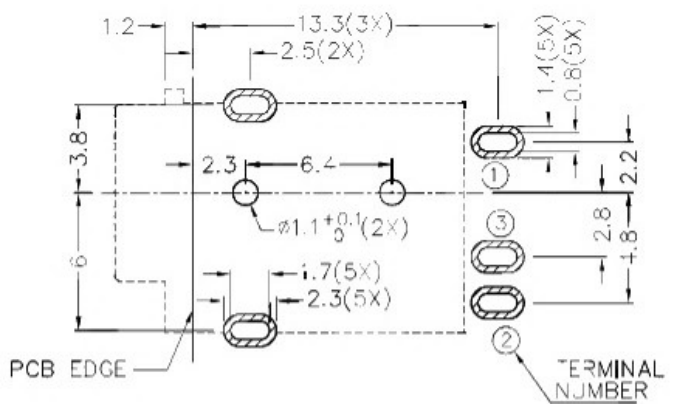
2

2



\* MATERIAL

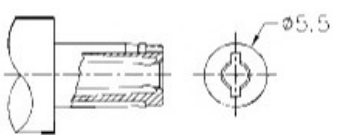
- TERMINAL 1 : BRASS
- TERMINAL 2 : COPPER ALLOY
- TERMINAL 3 : BRASS
- S-SHIELD : BRASS
- HOUSING : HIGH TEMP. PLASTIC
- COVER : HIGH TEMP. PLASTIC



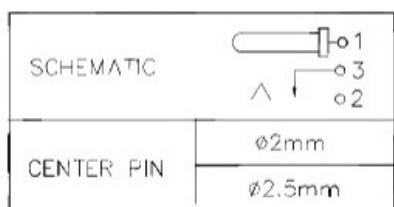
RECOMMENDED PCB LAYOUT  
TOLERANCE: ±0.05  
(TOP VIEW)

3

3



DC MATE PLUG



4

4

**广东科斯达开关厂**

PART NAME	HIGH CURRENT WATERPROOF/DUSTPROOF DC POWER SOCKET	TOLERANCE UNLESS OTHERWISE SPECIFIED:	0.0±0.2 0.00±0.1 0.000±0.05	UNIT: mm	DESIGN	H.L.TAN	DATE	30-10-2018	SCALE	3:1
					DRAWING	F.Q.ZHOU	DATE	16-11-2018	MATERIAL	*
PART NO.					CHECK	T.Y.LI	DATE	16-11-2018	DWG. NO.	TZ\WP1002HS-A/1.0
					APPROVAL		DATE		SHEET	

F

E

D

C

B

A