

F

E

D

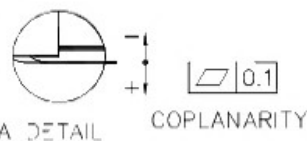
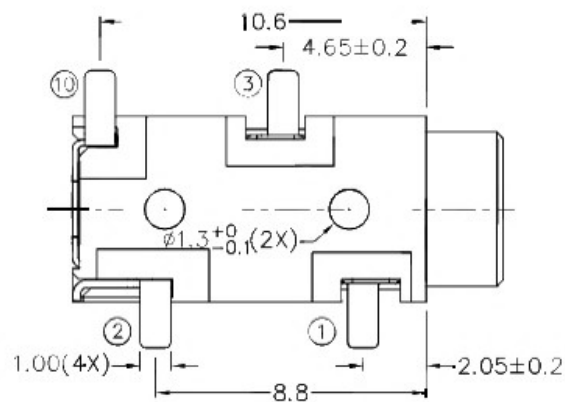
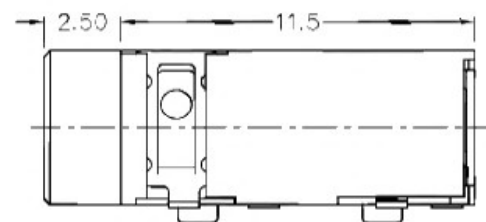
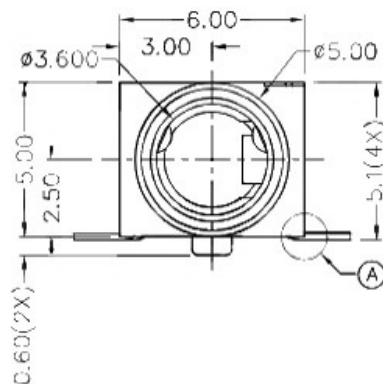
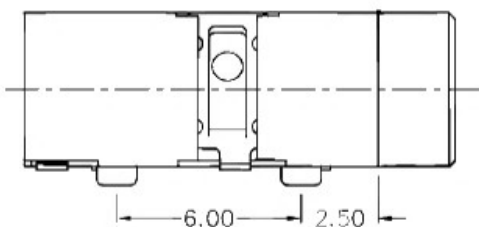
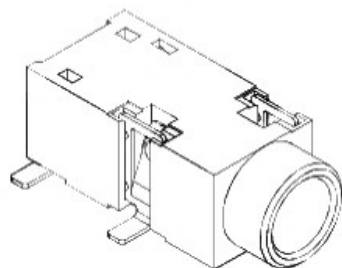
C

B

A

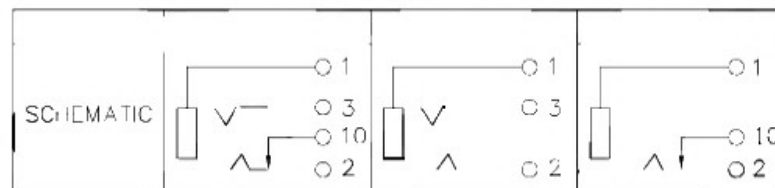
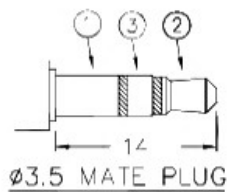
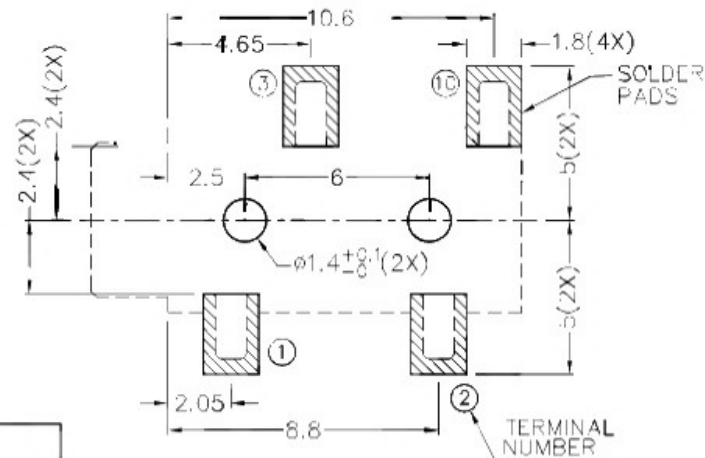
ZONE	SYMBOL	REVISION	APPROVAL	DATE

RoHS
Compliant



* MATERIAL

TERMINAL 1 : COPPER ALLOY
 TERMINAL 2 : COPPER ALLOY
 TERMINAL 3 : COPPER ALLOY
 TERMINAL 10 : COPPER ALLOY
 HOUSING : HIGH TEMP. PLASTIC



RECOMMENDED PCB LAYOUT
 TOLERANCE: ±0.05
 (TOP VIEW)

广东科斯达开关厂

PART NAME 3.5mm SMD STEREO JACK
 PART NO.

TOLERANCE UNLESS OTHERWISE SPECIFIED: 0.6±0.2
 0.00±0.1
 0.000±0.05

UNIT: mm



DESIGN	J.X.KUANG	DATE	16-9-2004	SCALE	4:1
DRAWING	CH.XIONG	DATE	28-12-2016	MATERIAL	×
CHECK	T.Y.LI	DATE	28-12-2016	DWG. NO.	TZ\SH381D-A/1.0
APPROVAL		DATE		SHEET	

F

E

D

C

B

A