

F

E

D

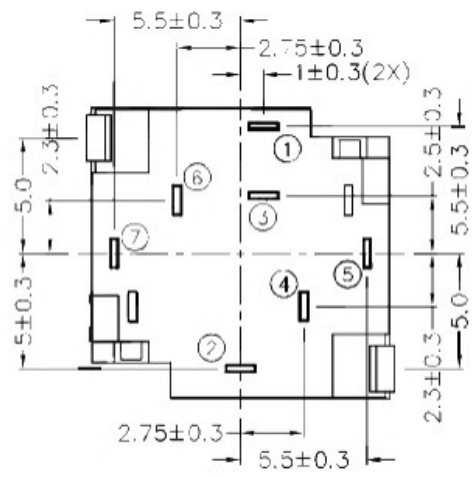
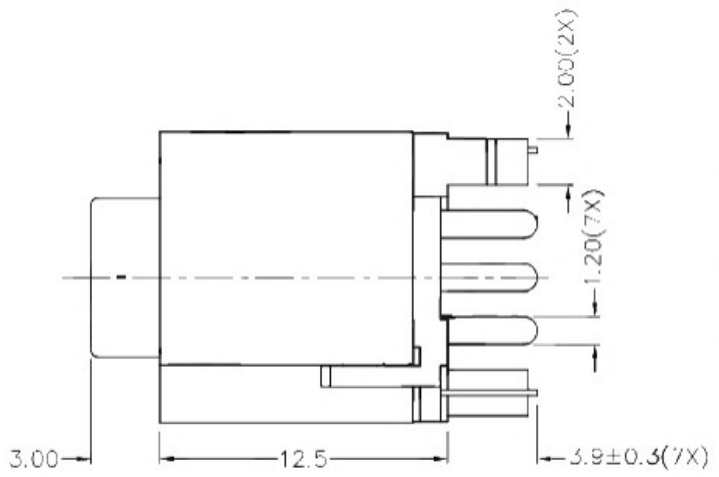
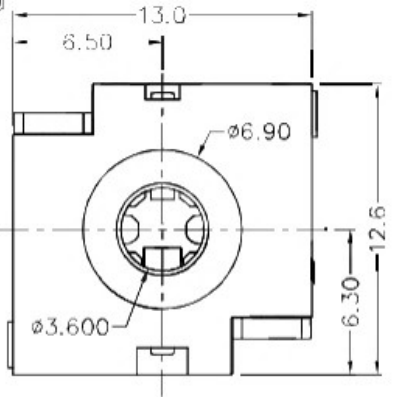
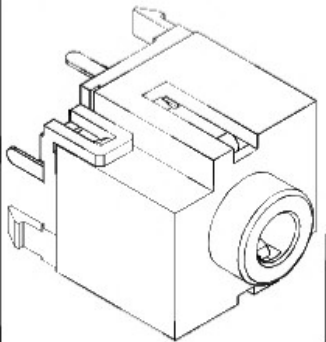
C

B

A

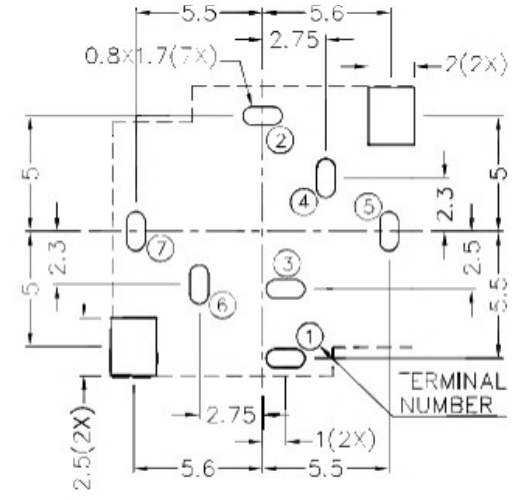
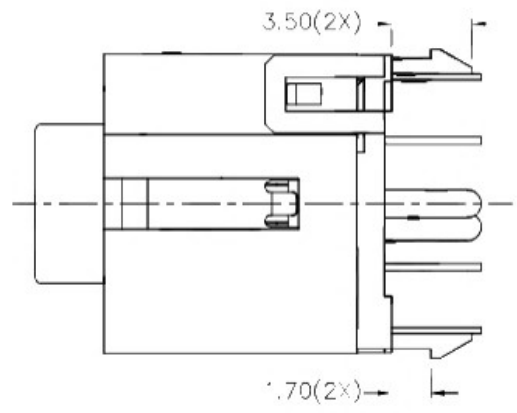
ZONE	SYMBOL	REVISION	A-PROVAL	DATE

RoHS  
Compliant

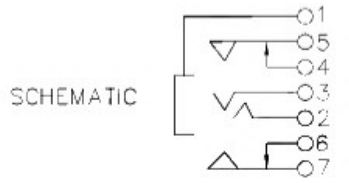
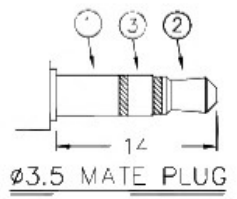


**\* MATERIAL**

- TERMINAL 1 : COPPER ALLOY
- TERMINAL 2 : COPPER ALLOY
- TERMINAL 3 : COPPER ALLOY
- TERMINAL 4 : BRASS
- TERMINAL 5 : COPPER ALLOY
- TERMINAL 6 : BRASS
- TERMINAL 7 : COPPER ALLOY
- HOUSING : THERMOPLASTIC
- COVER : THERMOPLASTIC
- INSULATOR : HIGH TEMP. PLASTIC



RECOMMENDED PCB LAYOUT  
TOLERANCE: ±0.05  
(TOP VIEW)



**广东科斯达开关厂**

DESIGN	J.X.KUANG	DATE	1-7-2005	SCALE	3:1
DRAWING	H.L.TAN	DATE	30-12-2016	MATERIAL	*
CHECK	T.Y.LI	DATE	30-12-2016	DWG. NO.	TZ\SH388-B/1.0
APPROVAL		DATE		SHEET	

PART NAME	3.5mm STEREO JACK	TOLERANCE UNLESS	0.0±0.2	UNIT:	mm
PART NO.		OTHERWISE SPECIFIED:	0.00±0.1		

F

E

D

C

B

A