

F

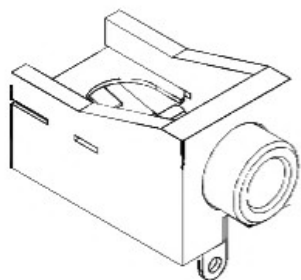
E

D

C

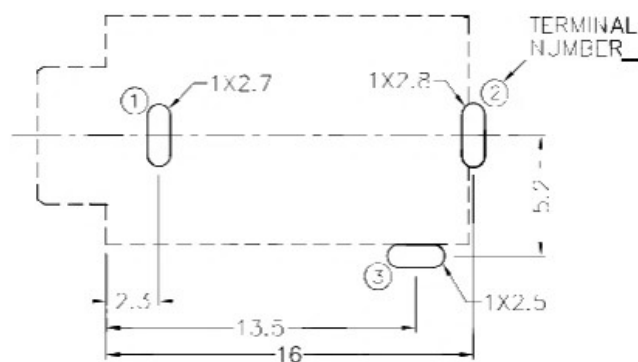
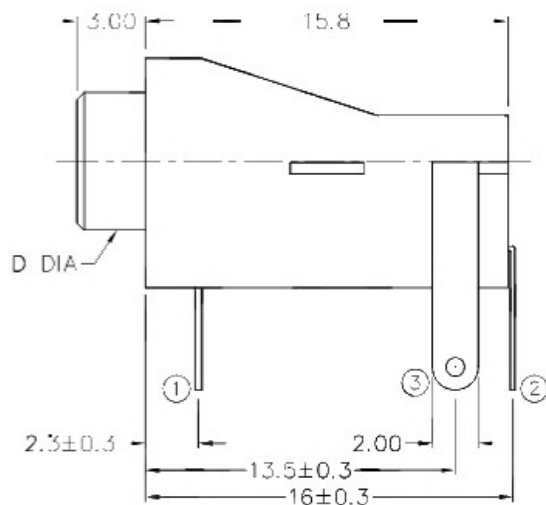
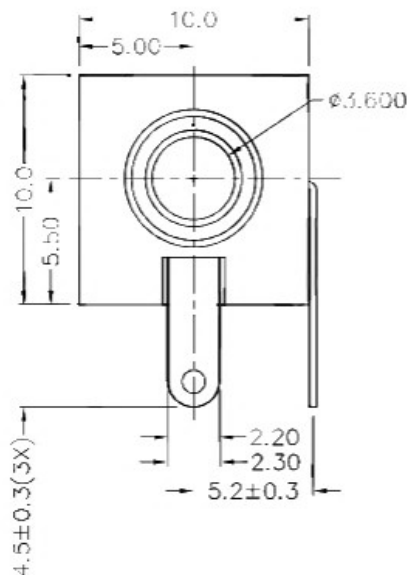
B

A

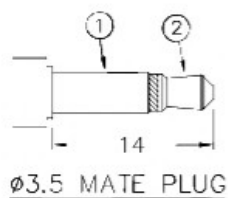


ZONF	SYMBOL	REVISION	APPROVAL	DATE
		UPDATE PLUG DIMENSIONS	J.X.KUANG	3-1-2018

RoHS
Compliant



RECOMMENDED PCB LAYOUT
TOLERANCE: ±0.05
(TOP VIEW)



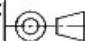
ø3.5 MATE PLUG

∅ DIA	THREADED	FLASHED
	M6X0.5	ø6.0
SCHEMATIC		
	① ③ ②	① ③ ②

* MATERIAL

TERMINAL 1 : BRASS
TERMINAL 2 : COPPER ALLOY
TERMINAL 3 : BRASS
RUSHING : BRASS
HOUSING : THERMOPLASTIC

 广东科斯达开关厂

PART NAME	3.5mm PHONF JACK	TOLERANCE UN. FSS	0.0±0.2	UNIT: 
PART NO.		OTHERWISE SPECIFIED:	0.00±0.1 0.000±0.05	

DESIGN	T.Y.LI	DATE	2-10-2003	SCALE	3:1
DRAWING	Y.C.GJO	DATE	3-1-2018	MATERIAL	*
CHECK	H.L.TAN	DATE	3-1-2018	DWG. NO.	T7\TH.35 -B/1.1
APPROVAL		DATE		SHEET	

F

E

D

C

B

A