

F

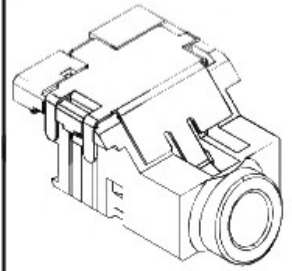
E

D

C

B

A

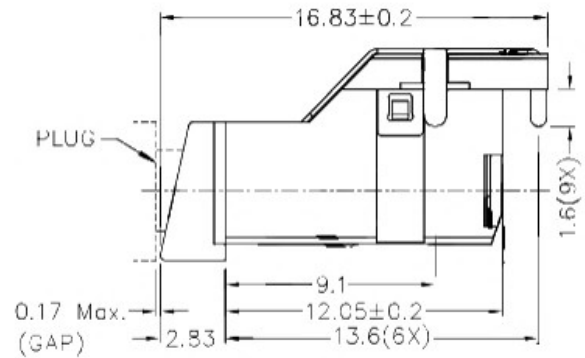
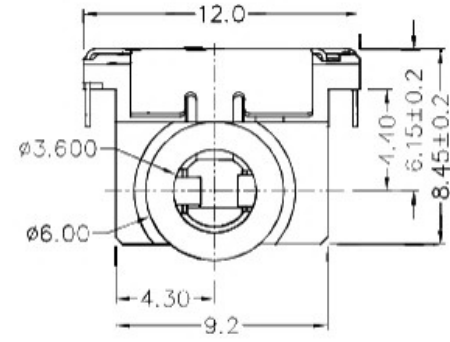
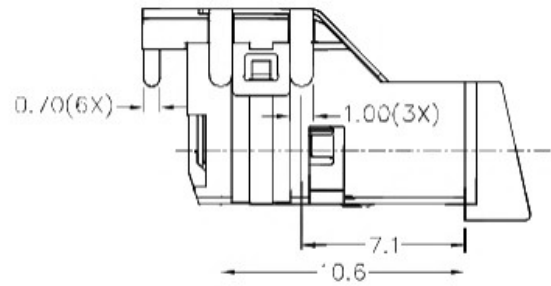


RoHS
Compliant

ZCNF	SYMBOL	REVISION	APPROVAL	DATE

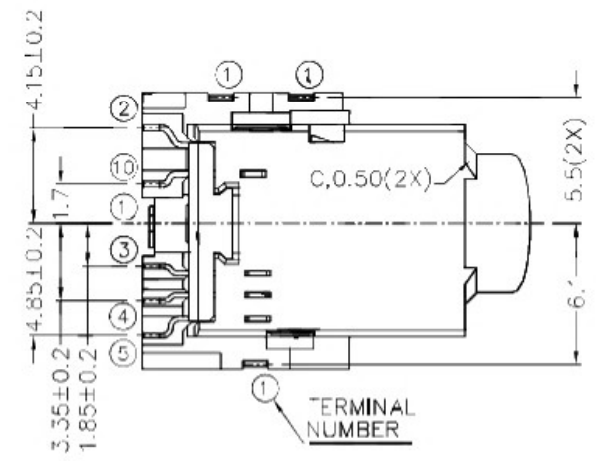
1

1

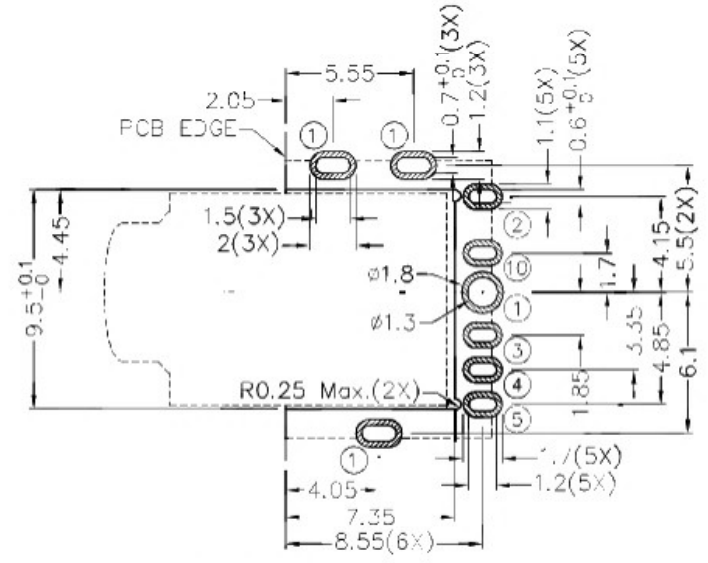


2

2



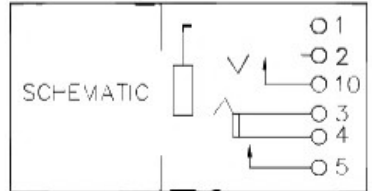
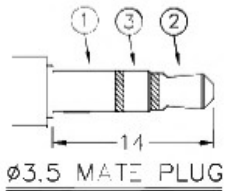
* MATERIAL
 TERMINAL 1 : COPPER ALLOY
 TERMINAL 2 : COPPER ALLOY
 TERMINAL 3 : COPPER ALLOY
 TERMINAL 4 : COPPER ALLOY
 TERMINAL 5 : COPPER ALLOY
 TERMINAL 10 : BRASS
 HOUSING : HIGH TEMP. PLASTIC



RECOMMENDED PCB LAYOUT
 TOLERANCE: ±0.05
 (TOP VIEW)

3

3



4

4

广东科斯达开关厂

DESIGN	G.P.YI	DATE	17-9-2011	SCALE	3:1
DRAWING	J.H.ZHOU	DATE	18-1-2017	MATERIAL	*
CHECK	T.Y.LI	DATE	18-1-2017	DWG. NO.	TZ\SH539D-A/1.0
APPROVAL		DATE		SHEET	

PART NAME	3.5mm SMD STEREO JACK	TOLERANCE UNLESS	0.0±0.2	UNIT:	mm
PART NO.		OTHERWISE SPECIFIED:	0.00±0.1		
			0.000±0.05		

F

E

D

C

B

A