

F

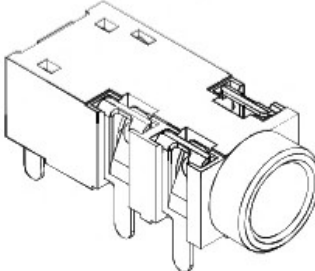
E

D

C

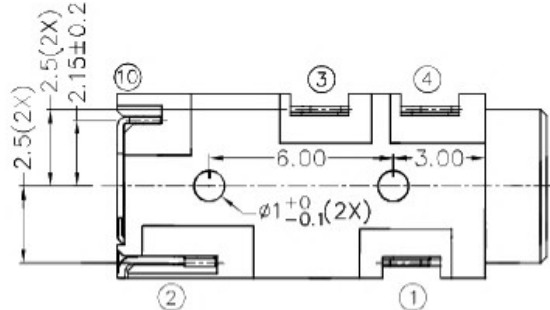
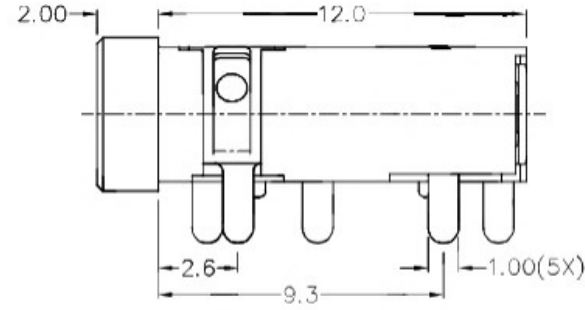
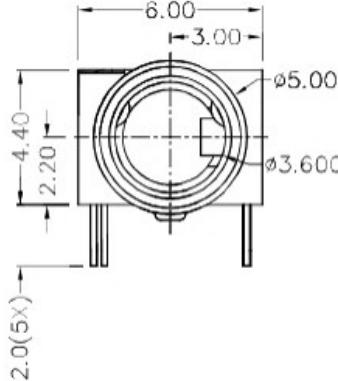
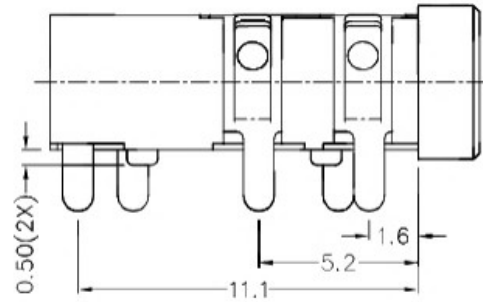
B

A



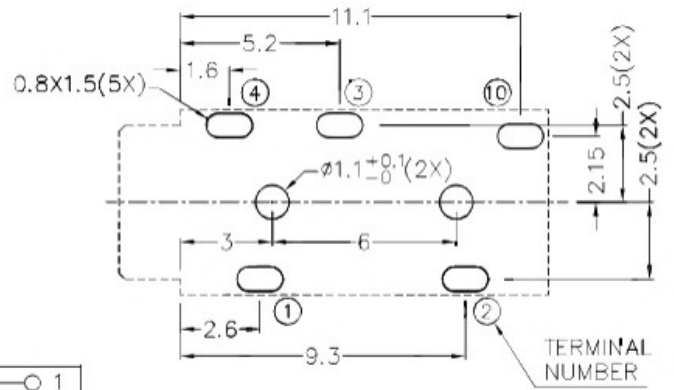
RoHS
Compliant

ZONE	SYMBOL	REVISION	APPROVAL	DATE

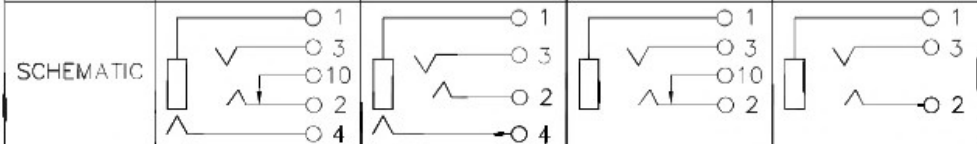
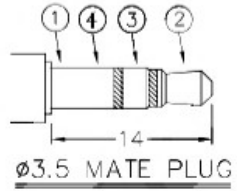


* MATERIAL

- TERMINAL 1 : COPPER ALLOY
- TERMINAL 2 : COPPER ALLOY
- TERMINAL 3 : COPPER ALLOY
- TERMINAL 4 : COPPER ALLOY
- TERMINAL 10: COPPER ALLOY
- HOUSING : THERMOPLASTIC




RECOMMENDED PCB LAYOUT
TOLERANCE: ±0.05
(TOP VIEW)



 **广东科斯达开关厂**

DESIGN	T.Y.LI	DATE	14-7-2005	SCALE	4:1
DRAWING	CH.XIONG	DATE	30-12-2016	MATERIAL	*
CHECK	H.L.TAN	DATE	30-12-2016	DWG. NO.	TZ\SH386-B/1.0
APPROVAL		DATE		SHEET	

PART NAME	3.5mm STEREO JACK	TOLERANCE UNLESS	0.0±0.2	UNIT: 
PART NO.		OTHERWISE SPECIFIED:	0.00±0.1 0.000±0.05	

F

E

D

C

B

A