

F

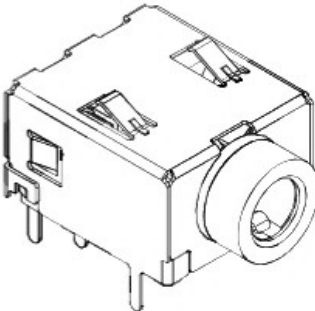
E

D

C

B

A



RoHS
Compliant

ZONE	SYMBOL	REVISION	APPROVAL	DATE

1

1

2

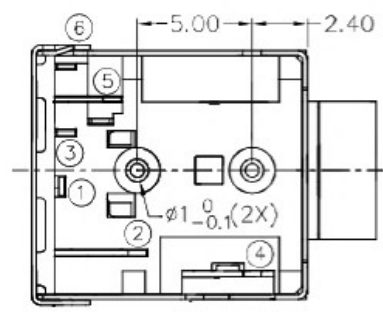
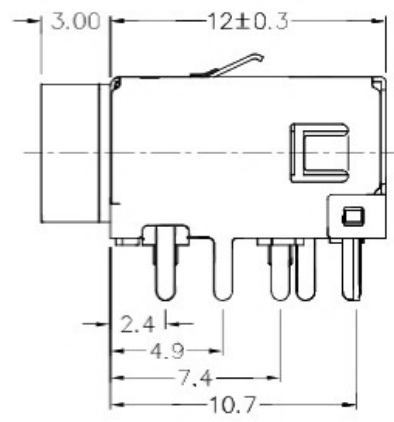
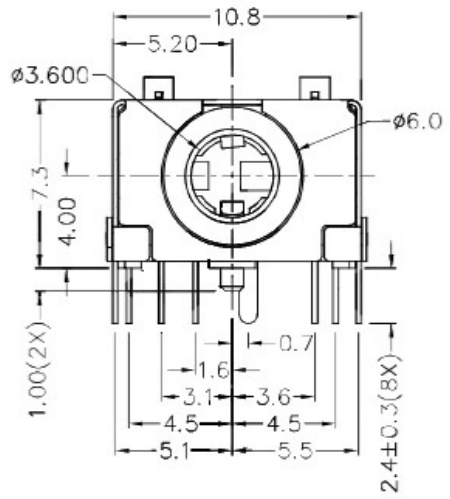
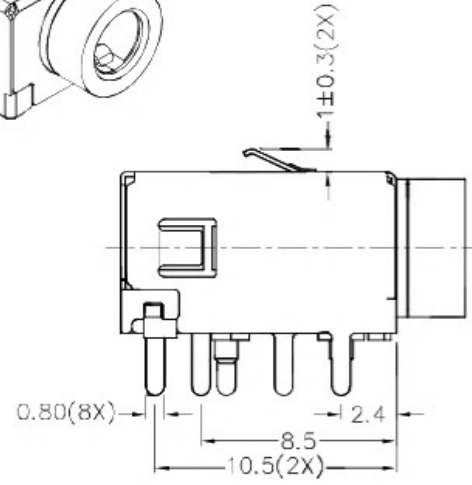
2

3

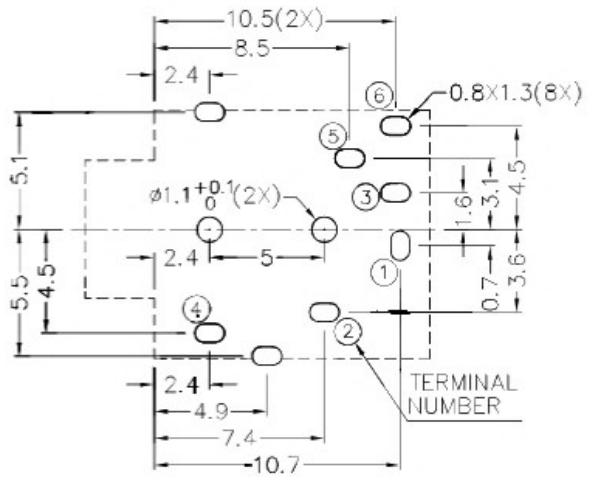
3

4

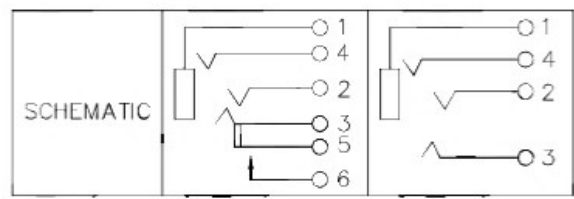
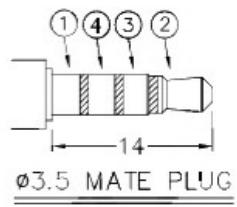
4



- * MATERIAL**
- TERMINAL 1 : COPPER ALLOY
 - TERMINAL 2 : COPPER ALLOY
 - TERMINAL 3 : COPPER ALLOY
 - TERMINAL 4 : COPPER ALLOY
 - TERMINAL 5 : COPPER ALLOY
 - TERMINAL 6 : COPPER ALLOY
 - SHIELD : COPPER ALLOY
 - BUSHING : BRASS
 - HOUSING : THERMOPLASTIC



RECOMMENDED PCB LAYOUT
TOLERANCE: ±0.05
(TOP VIEW)



广东科斯达开关厂

DESIGN	T.Y.LI	DATE	8-8-2007	SCALE	3:1
DRAWING	J.H.ZHOU	DATE	10-1-2017	MATERIAL	*
CHECK	H.L.TAN	DATE	10-1-2017	DWG. NO.	TZ\SH502S-B/1.0
APPROVAL		DATE		SHEET	

PART NAME	3.5mm STEREO JACK	TOLERANCE UNLESS	0.0±0.2	UNIT:	mm
PART NO.		OTHERWISE SPECIFIED:	0.00±0.1 0.000±0.05		

F

E

D

C

B

A