

F

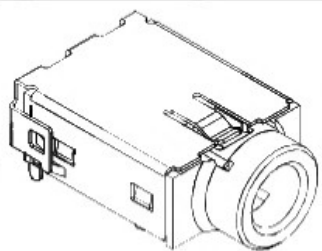
E

D

C

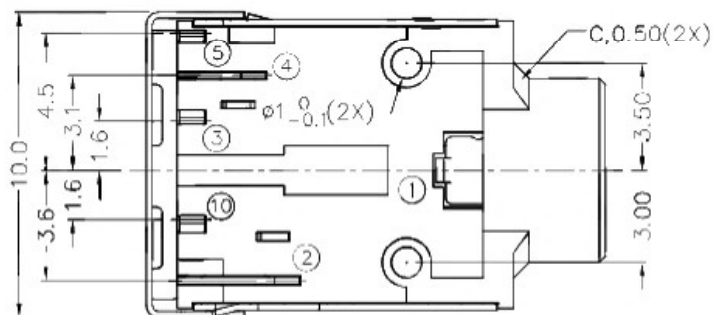
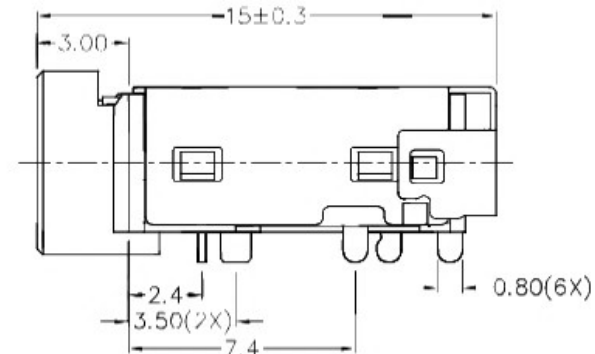
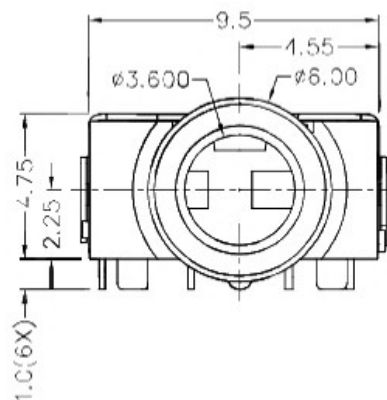
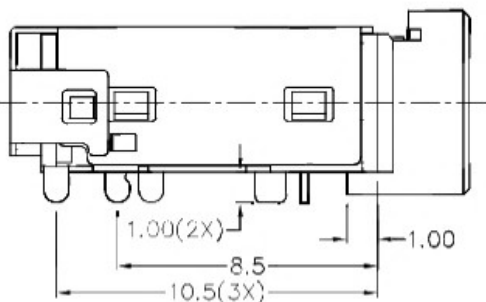
B

A



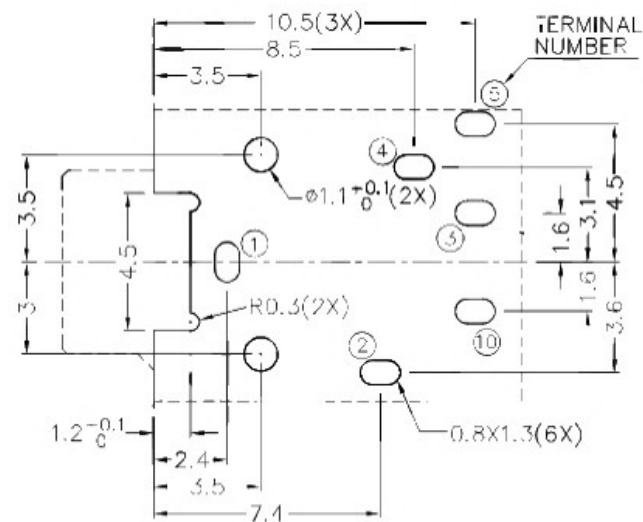
RoHS
Compliant

ZONE	SYMBOL	REVISION	A-PROVAL	DATE

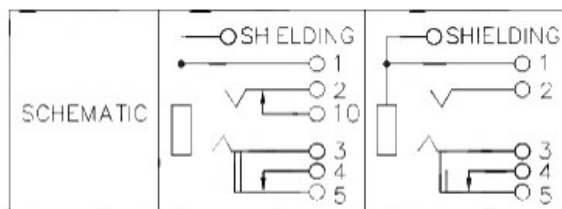
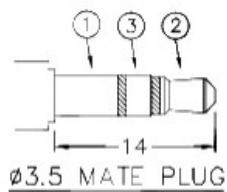


* MATERIAL

TERMINAL 1 : COPPER ALLOY
 TERMINAL 2 : COPPER ALLOY
 TERMINAL 3 : COPPER ALLOY
 TERMINAL 4 : COPPER ALLOY
 TERMINAL 5 : COPPER ALLOY
 TERMINAL 10 : BRASS
 SHIELD : COPPER ALLOY
 HOUSING : HIGH TEMP. PLASTIC



RECOMMENDED PCB LAYOUT
 TOLERANCE: ±0.05
 (TOP VIEW)



广东科斯达开关厂

PART NAME	3.5mm STEREO JACK	TOLERANCE UNLESS OTHERWISE SPECIFIED: 0.0±0.2 0.00±0.1	UNIT: mm	DESIGN	H.L.IAN	DATE	10-6-2011	SCALE	4:1
PART NO.				DRAWING	H.Q.ZHOU	DATE	6-1-2017	MATERIAL	*
				CHECK	T.Y.LI	DATE	6-1-2017	DWG. NO.	TZ\SH39653 4-H3-A/1.0
				APPROVAL		DATE		SHEET	

F

E

D

C

B

A