

F

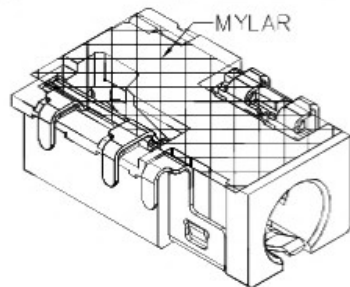
E

D

C

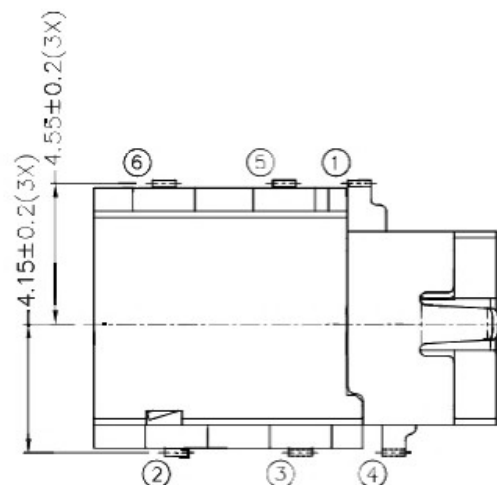
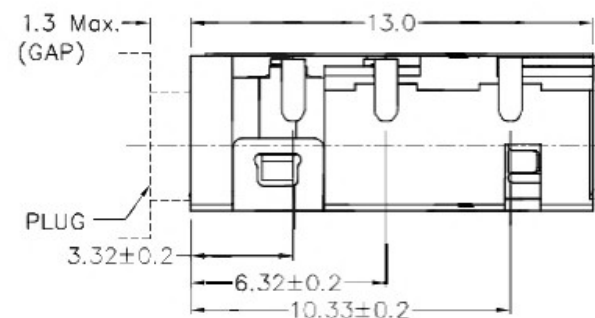
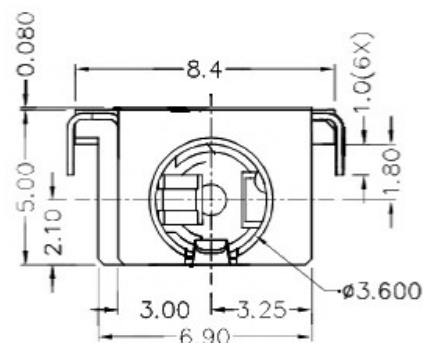
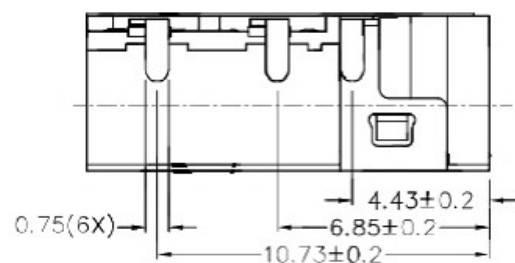
B

A



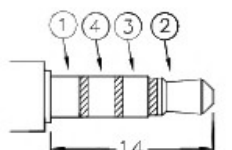
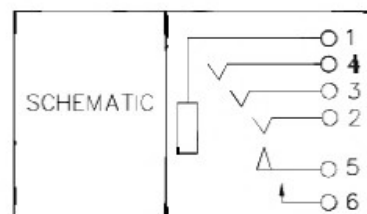
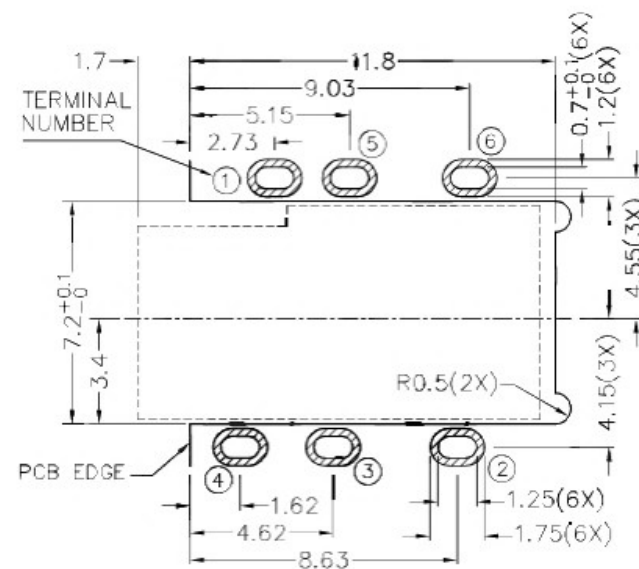
RoHS
Compliant

ZONE	SYMBOL	REVISION	APPROVAL	DATE



* MATERIAL

TERMINAL 1 : COPPER ALLOY
 TERMINAL 2 : COPPER ALLOY
 TERMINAL 3 : COPPER ALLOY
 TERMINAL 4 : COPPER ALLOY
 TERMINAL 5 : COPPER ALLOY
 TERMINAL 6 : COPPER ALLOY
 HOUSING : HIGH TEMP. PLASTIC
 INSULATOR : HIGH TEMP. PLASTIC
 MYLAR : POLYIMIDE



ø3.5 MATE PLUG

RECOMMENDED PCB LAYOUT
 TOLERANCE: ±0.05
 (TOP VIEW)

广东科斯达开关厂

PART NAME	3.5mm SMD STEREO JACK	TOLERANCE UNLESS	0.0±0.2	UNIT:
PART NO.	TSH-574DT1	OTHERWISE SPECIFIED:	0.00±0.1 0.000±0.05	

DESIGN	G.P.YI	DATE	17-4-2013	SCALE	4:1
DRAWING	H.L.TAN	DATE	10-2-2017	MATERIAL	*
CHECK	T.Y.LI	DATE	10-2-2017	DWG. NO.	TZ\SH574DT1-A/1.0
APPROVAL		DATE		SHEET	

F

E

D

C

B

A