

F

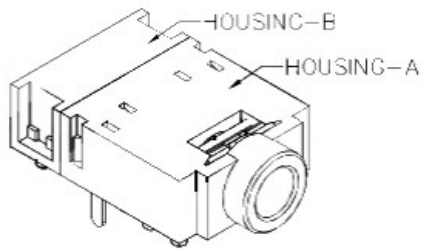
E

D

C

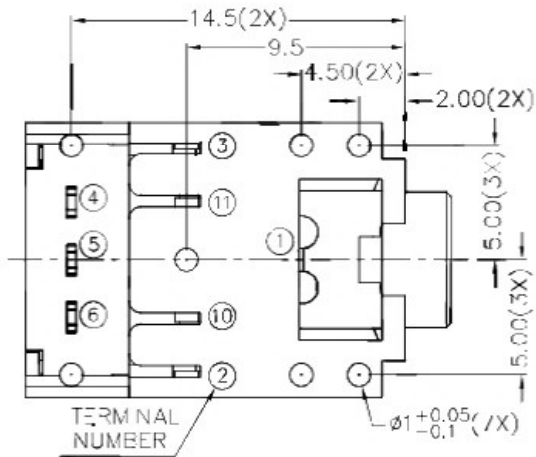
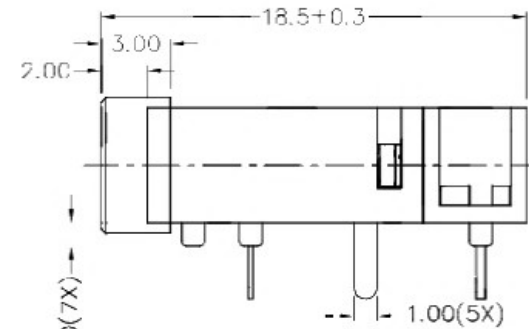
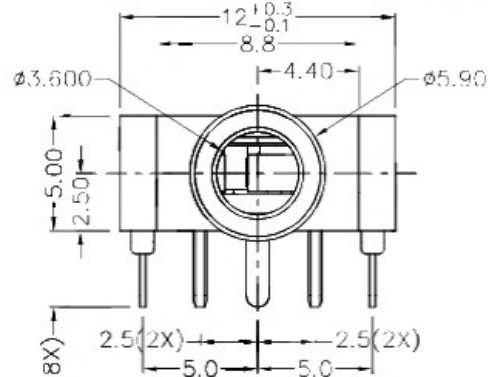
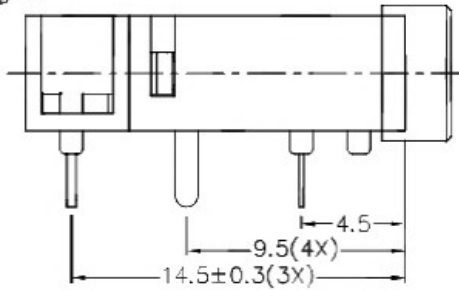
B

A



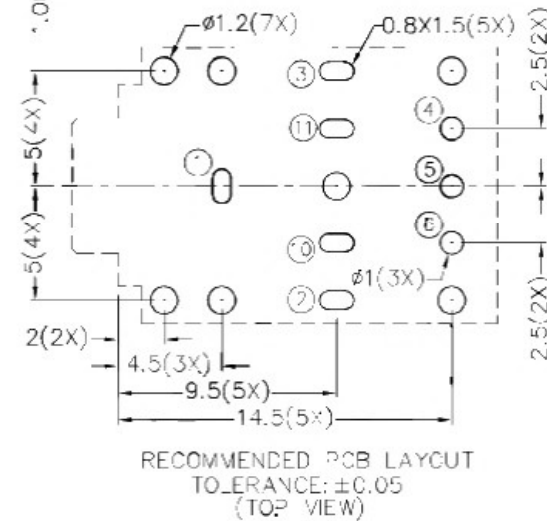
RoHS
Compliant

ZONE	SYMBOL	REVISION	A-PROVAL	DATE

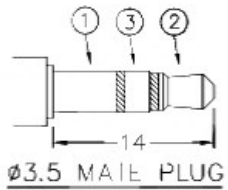


* MATERIAL

TERMINAL 1	: COPPER ALLOY
TERMINAL 2	: STAINLESS STEEL
TERMINAL 3	: COPPER ALLOY
TERMINAL 10	: BRASS
TERMINAL 11	: BRASS
TERMINAL 4,5,6	: BRASS
HOUSING-A	: THERMOPLASTIC
HOUSING-B	: THERMOPLASTIC
INSULATOR	: THERMOPLASTIC
PIN BOARD	: THERMOPLASTIC
CONTACT CLIP	: COPPER ALLOY

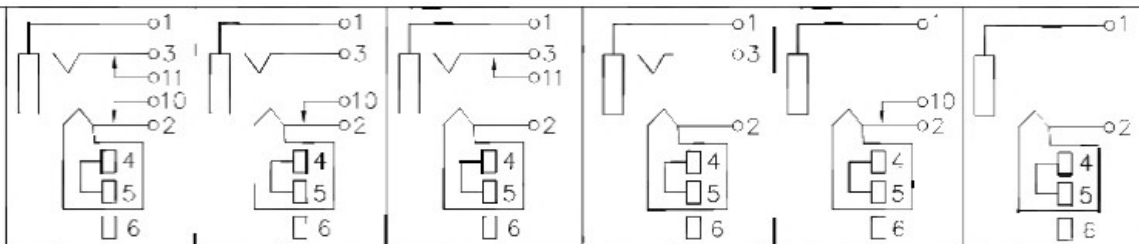


RECOMMENDED PCB LAYOUT
TOLERANCE: ±0.05
(TOP VIEW)




3.5 MALE PLUG

SCHEMATIC



 广东科斯达开关厂

DESIGN	J.M.KWAN	DATE	6-10-2003	SCALE	3:1
DRAWING	Y.J.CUO	DATE	7-12-2016	MATERIAL	×
CHECK	T.Y.LI	DATE	7-12-2016	DWG. NO.	TZ\SH361 12-B/1.0
APPROVAL		DATE		SHEET	

PART NAME	3.5mm STEREO JACK	TOLERANCE UNLESS OTHERWISE SPECIFIED:	0.0=0.2 0.00±0.1 0.000±0.05	UNIT:	
PART NO.					

F

E

D

C

B

A