

F

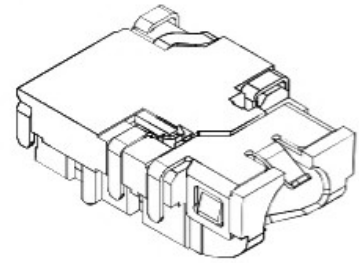
E

D

C

B

A

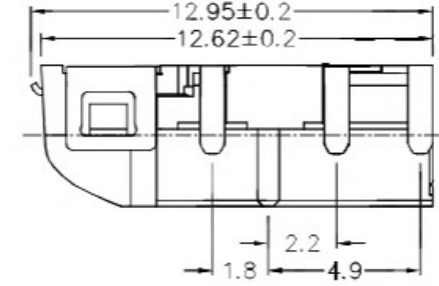
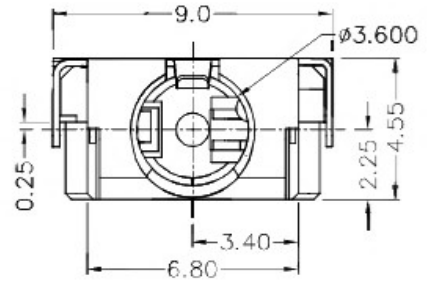
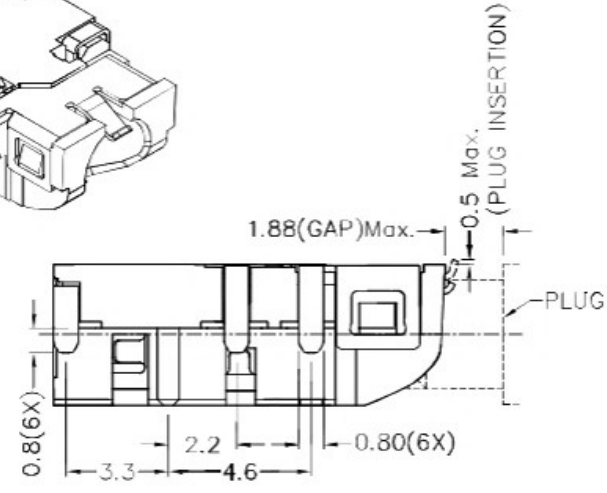


RoHS  
Compliant

ZCNE	SYMBOL	REVISION	APPROVAL	DATE

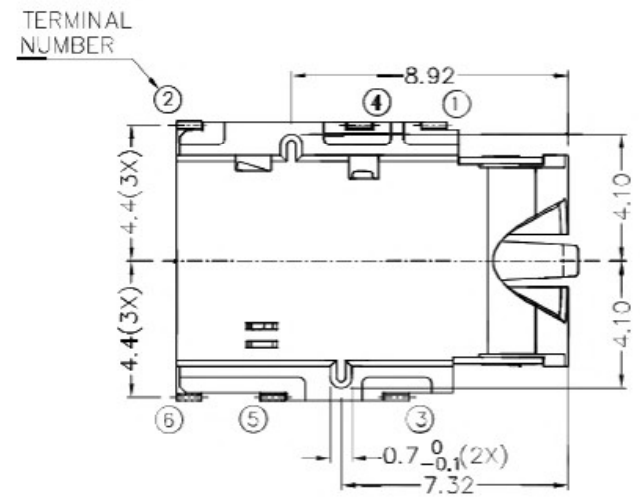
1

1

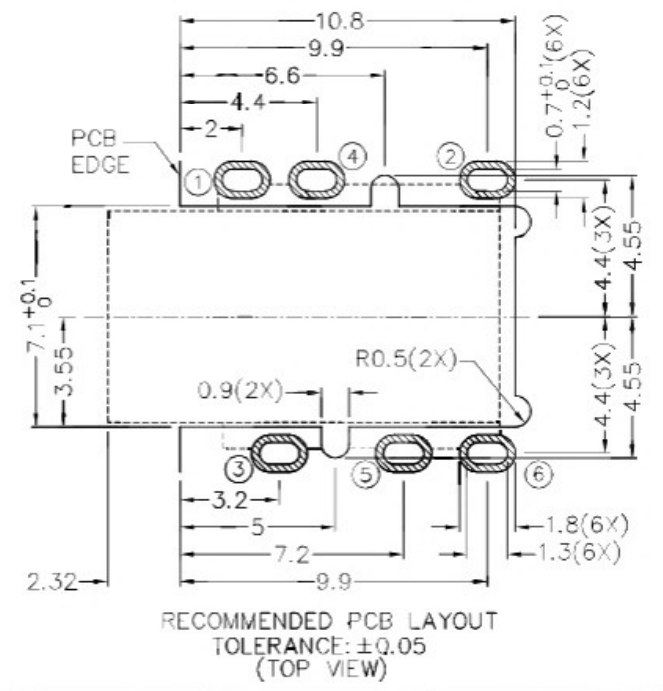


2

2

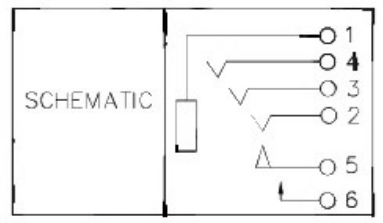
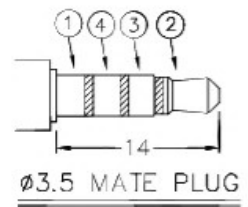


\* MATERIAL  
 TERMINAL 1 : COPPER ALLOY  
 TERMINAL 2 : COPPER ALLOY  
 TERMINAL 3 : COPPER ALLOY  
 TERMINAL 4 : COPPER ALLOY  
 TERMINAL 5 : COPPER ALLOY  
 TERMINAL 6 : COPPER ALLOY  
 HOUSING : HIGH TEMP. PLASTIC  
 INSULATOR : HIGH TEMP. PLASTIC



3

3



4

4

广东科斯达开关厂

DESIGN	G.P.YI	DATE	2-1-2014	SCALE	4:1
DRAWING	H.Q.ZHOU	DATE	17-2-2017	MATERIAL	*
CHECK	T.Y.LI	DATE	17-2-2017	DWG. NO.	TZ\SH593D-A/1.0
APPROVAL		DATE		SHEET	

PART NAME	3.5mm SMD STEREO JACK	TOLERANCE UNLESS	0.0±0.2	UNIT:	mm
PART NO.		OTHERWISE SPECIFIED:	0.00±0.1 0.000±0.05		

F

E

D

C

B

A