

F

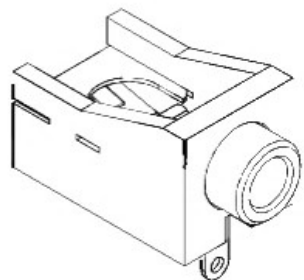
E

D

C

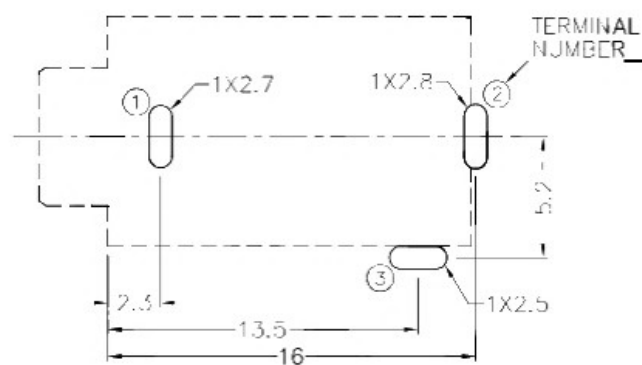
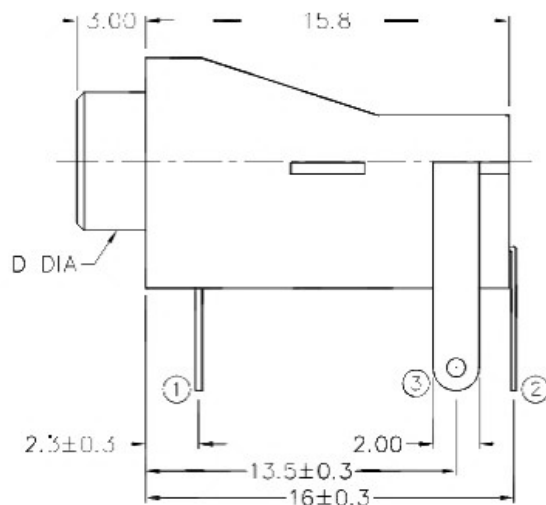
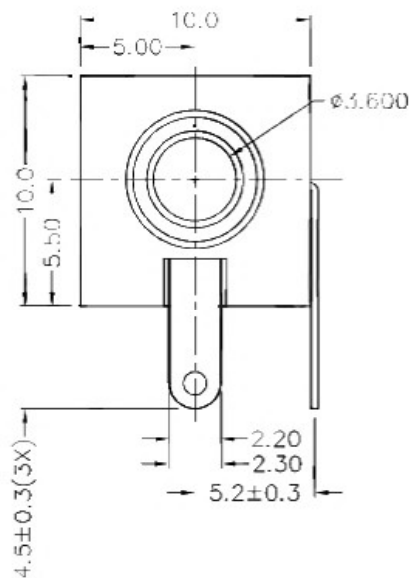
B

A

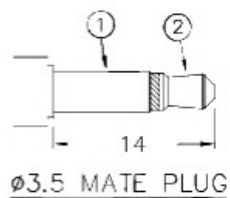


ZONF	SYMBOL	REVISION	APPROVAL	DATE
		UPDATE PLUG DIMENSIONS	J.X.KUANG	3-1-2018

RoHS  
Compliant



RECOMMENDED PCB LAYOUT  
TOLERANCE: ±0.05  
(TOP VIEW)



∅ DIA	THREADED	FLASHED
	M6X0.5	∅6.0
SCHEMATIC		

\* MATERIAL

TERMINAL 1 : BRASS  
 TERMINAL 2 : COPPER ALLOY  
 TERMINAL 3 : BRASS  
 BUSHING : BRASS  
 HOUSING : THERMOPLASTIC

广东科斯达开关厂

PART NAME	3.5mm PHONE JACK	TOLERANCE UN. FSS	0.0±0.2 0.00±0.1	UNIT:	
PART NO.		OTHERWISE SPECIFIED:	0.000±0.05	mm	

DESIGN	T.Y.LI	DATE	2-10-2003	SCALE	3:1
DRAWING	Y.C.GUO	DATE	3-1-2018	MATERIAL	*
CHECK	H.L.TAN	DATE	3-1-2018	DWG. NO.	T7\TH-35-B/1.1
APPROVAL		DATE		SHEET	

F

E

D

C

B

A