

F

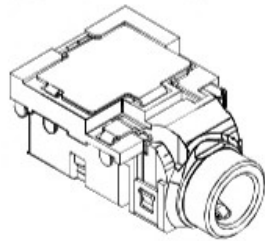
E

D

C

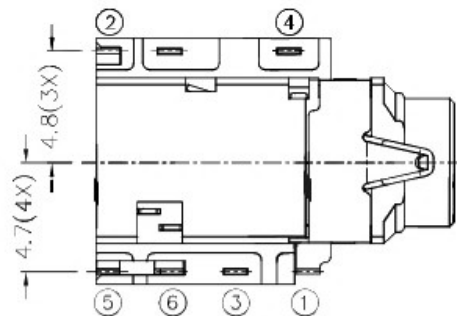
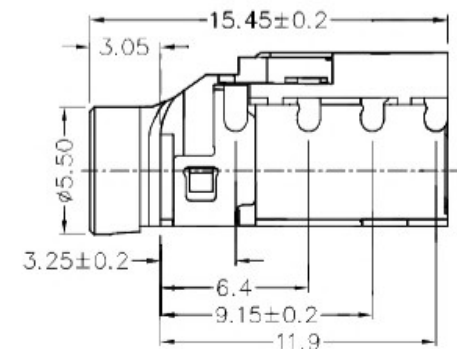
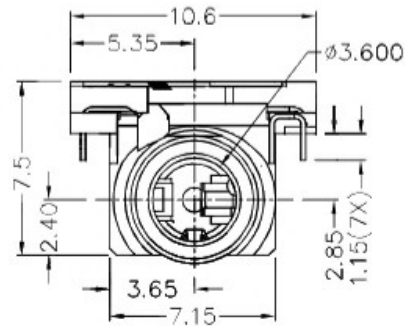
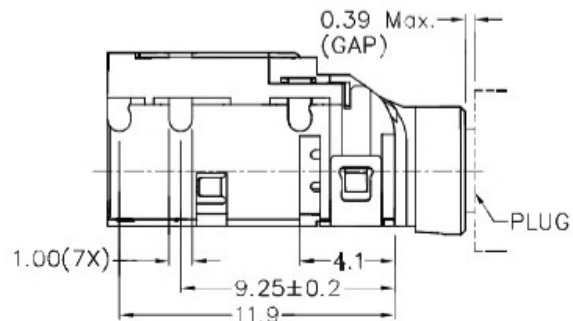
B

A



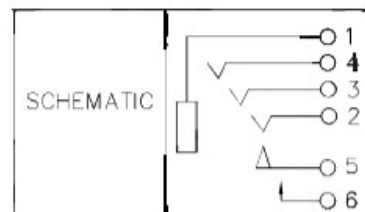
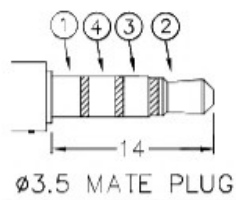
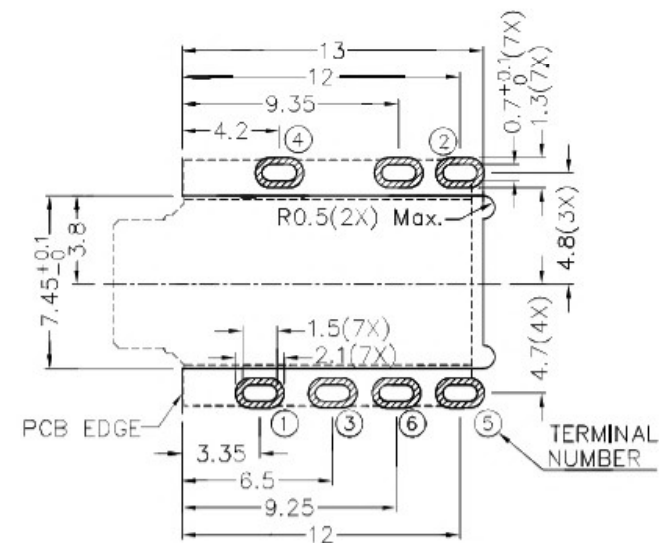
RoHS
Compliant

ZONE	SYMBOL	REVISION	APPROVAL	DATE



※ MATERIAL

TERMINAL 1 : COPPER ALLOY
 TERMINAL 2 : COPPER ALLOY
 TERMINAL 3 : COPPER ALLOY
 TERMINAL 4 : COPPER ALLOY
 TERMINAL 5 : COPPER ALLOY
 TERMINAL 6 : COPPER ALLOY
 SHIELD : BRASS
 HOUSING : HIGH TEMP. PLASTIC
 INSULATOR : HIGH TEMP. PLASTIC



RECOMMENDED PCB LAYOUT
 TOLERANCE: ±0.05
 (TOP VIEW)

 广东科斯达开关厂

PART NAME	3.5mm SMD STEREO JACK	TOLERANCE UNLESS	0.0±0.2	UNIT:	mm	DESIGN	J.CH.OU	DATE	19-5-2015	SCALE	3:1
PART NO.		OTHERWISE SPECIFIED:	0.00±0.1 0.000±0.05				DRAWING	H.L.TAN	DATE	21-2-2017	MATERIAL
						CHECK	T.Y.LI	DATE	21-2-2017	DWG. NO.	TZ\SH603DS-A/1.0
						APPROVAL		DATE		SHEET	

F

E

D

C

B

A