

F

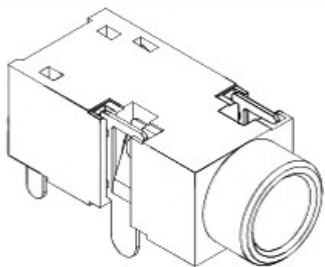
E

D

C

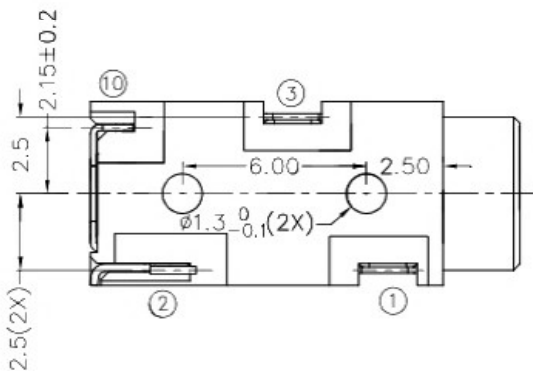
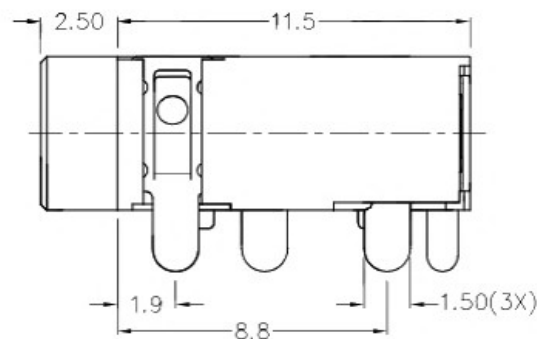
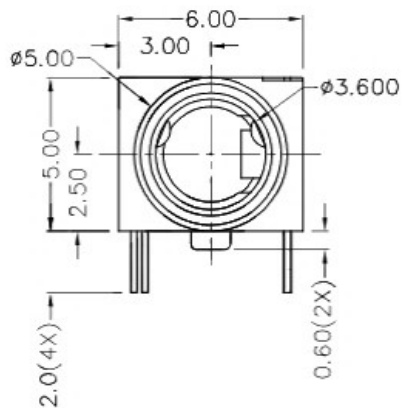
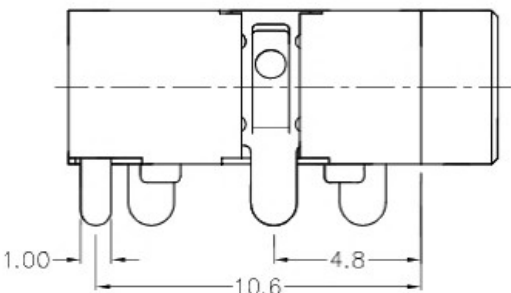
B

A



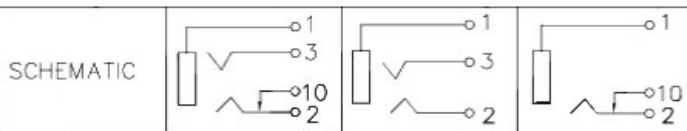
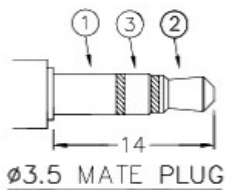
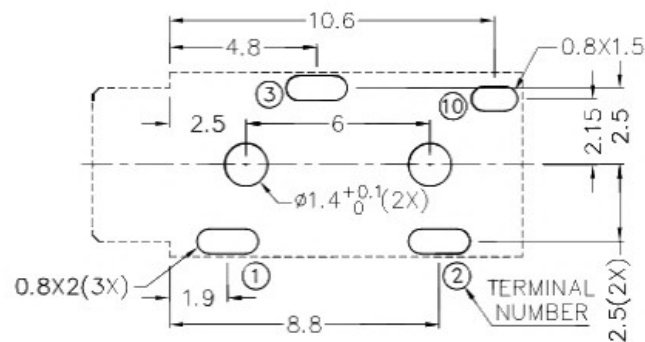
RoHS
Compliant

ZONE	SYMBOL	REVISION	APPROVAL	DATE



* MATERIAL

TERMINAL 1 : COPPER ALLOY
 TERMINAL 2 : COPPER ALLOY
 TERMINAL 3 : COPPER ALLOY
 TERMINAL 10 : COPPER ALLOY
 HOUSING : THERMOPLASTIC



RECOMMENDED PCB LAYOUT
 TOLERANCE: ±0.05
 (TOP VIEW)

广东科斯达开关厂

PART NAME	3.5mm STEREO JACK	TOLERANCE UNLESS	0.0±0.2	UNIT:	mm	DESIGN	J.X.KUANG	DATE	10-9-2004	SCALE	4:1
PART NO.		OTHERWISE SPECIFIED:	0.00±0.1				DRAWING	H.Q.ZHOU	DATE	28-12-2016	MATERIAL
			0.000±0.05			CHECK	T.Y.LI	DATE	28-12-2016	DWG. NO.	TZ\SH381-B/1.0
						APPROVAL		DATE		SHEET	

F

E

D

C

B

A