

F

E

D

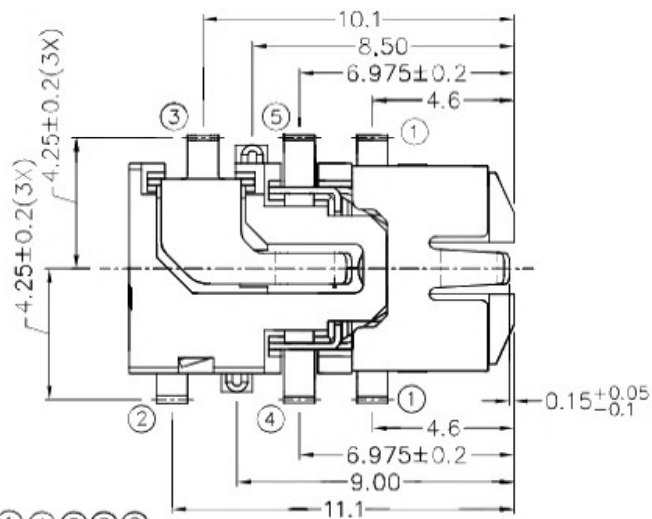
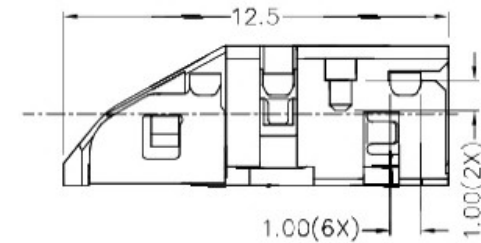
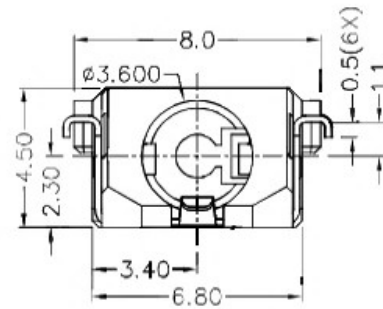
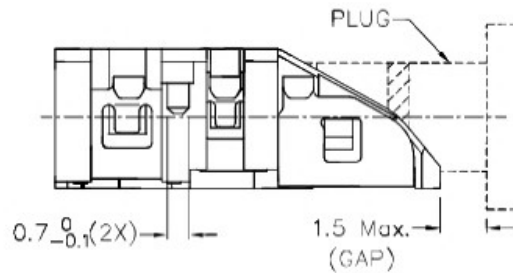
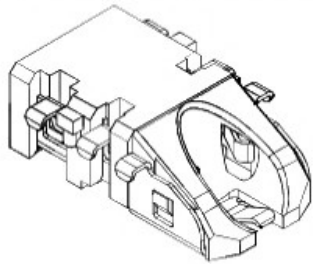
C

B

A

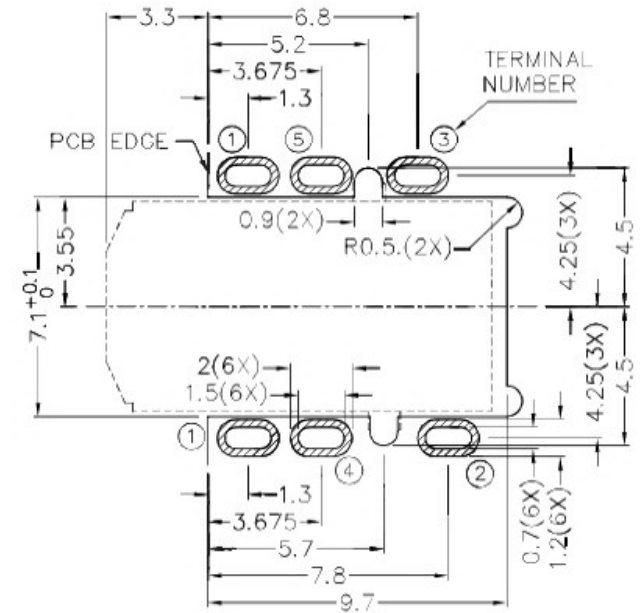
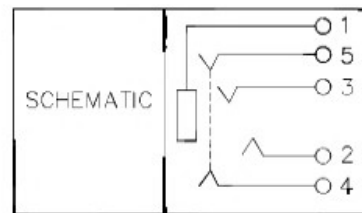
RoHS
Compliant

ZONE	SYMBOL	REVISION	APPROVAL	DATE

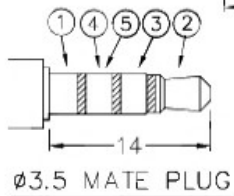


* MATERIAL

TERMINAL 1 : COPPER ALLOY
 TERMINAL 2 : COPPER ALLOY
 TERMINAL 3 : COPPER ALLOY
 TERMINAL 4 : COPPER ALLOY
 TERMINAL 5 : COPPER ALLOY
 HOUSING : HIGH TEMP. PLASTIC



RECOMMENDED PCB LAYOUT
 TOLERANCE: ±0.05
 (TOP VIEW)



3.5 MATE PLUG


广东科斯达开关厂

DESIGN	H.L.TAN	DATE	24-7-2012	SCALE	4:1
DRAWING	J.H.ZHOU	DATE	19-1-2017	MATERIAL	*
CHECK	T.Y.LI	DATE	19-1-2017	DWG. NO.	TZ\SH552D-A/1.0
APPROVAL		DATE		SHEET	

PART NAME 3.5mm SMD STEREO JACK

TOLERANCE UNLESS 0.0±0.2

UNIT: 

OTHERWISE SPECIFIED: 0.00±0.1
0.000±0.05

F

E

D

C

B

A