

F

E

D

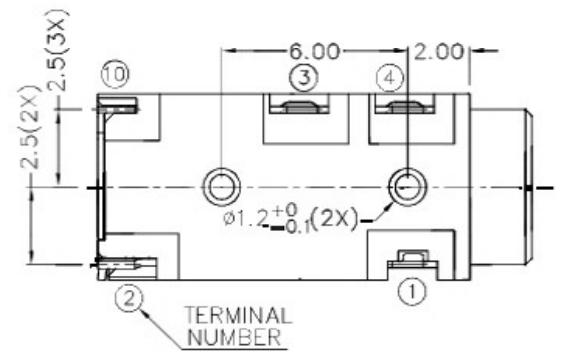
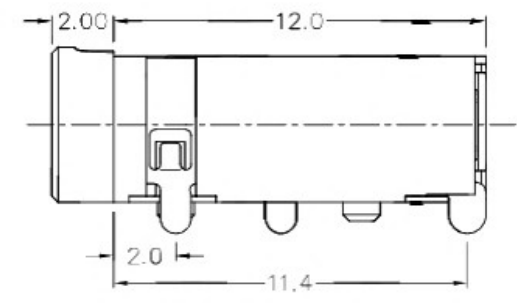
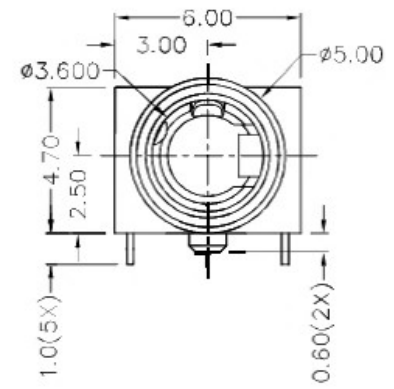
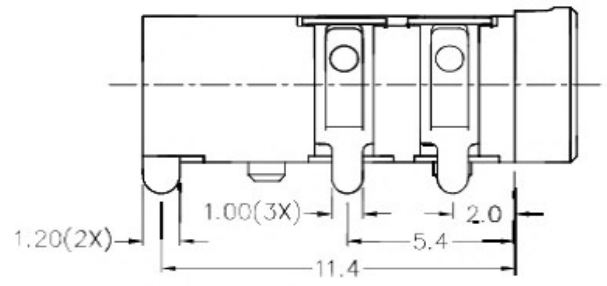
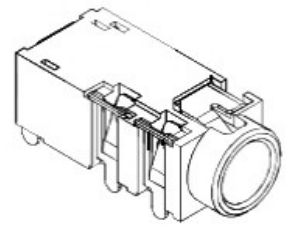
C

B

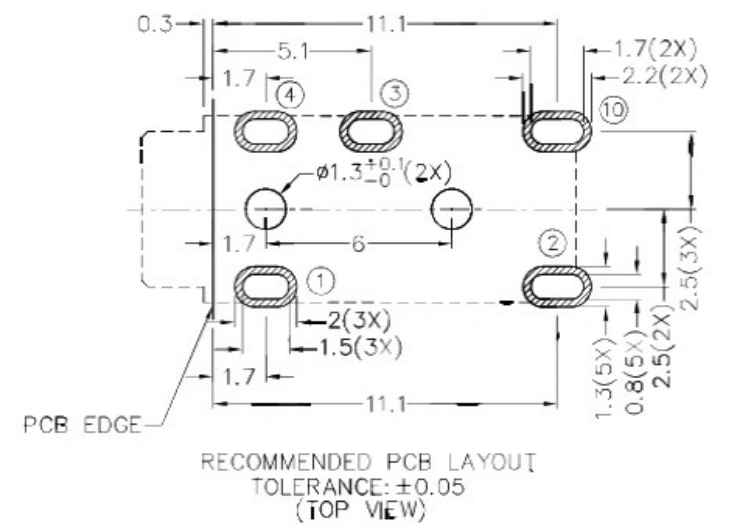
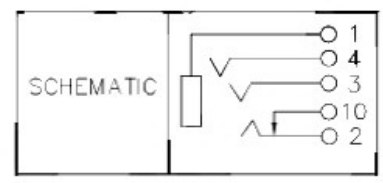
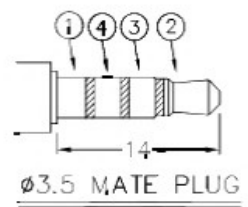
A


RoHS
Compliant

ZONE	SYMBOL	REVISION	APPROVAL	DATE



*** MATERIAL**
 TERMINAL 1 : COPPER ALLOY
 TERMINAL 2 : COPPER ALLOY
 TERMINAL 3 : COPPER ALLOY
 TERMINAL 4 : COPPER ALLOY
 TERMINAL 10: COPPER ALLOY
 HOUSING : HIGH TEMP. PLASTIC



 **广东科斯达开关厂**

DESIGN	H.L.TAN	DATE	15-6-2018	SCALE	4:1
DRAWING	H.Q.ZHOU	DATE	15-6-2018	MATERIAL	*
CHECK	T.Y.LI	DATE	15-6-2018	DWG. NO.	TZ\SH606-A/1.0
APPROVAL		DATE		SHEET	

PART NAME	3.5mm STEREO JACK	TOLERANCE UNLESS	0.0±0.2	UNIT:	mm
PART NO.		OTHERWISE SPECIFIED:	0.00±0.1 0.000±0.05		

F

E

D

C

B

A