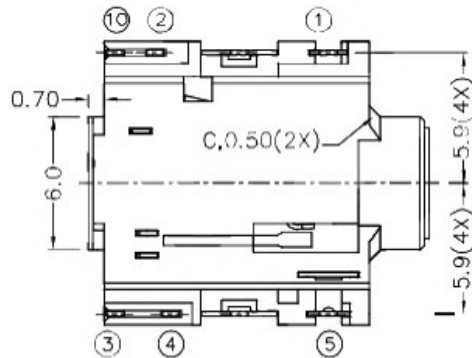
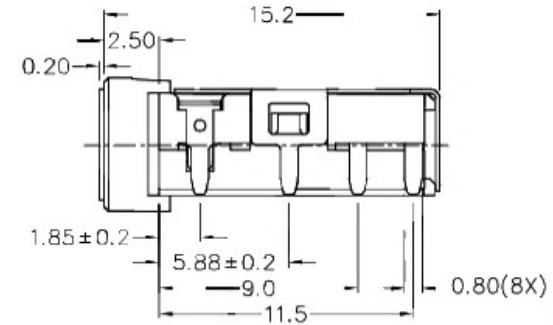
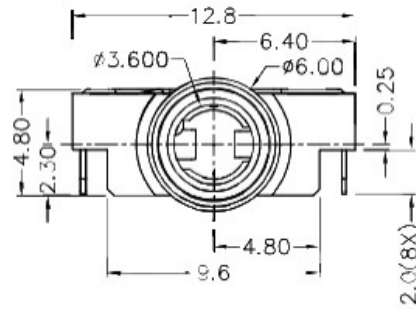
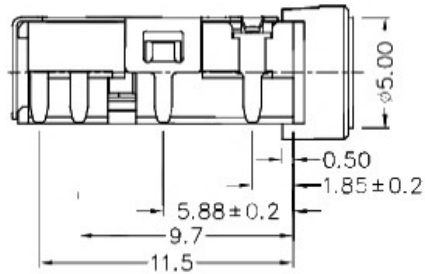


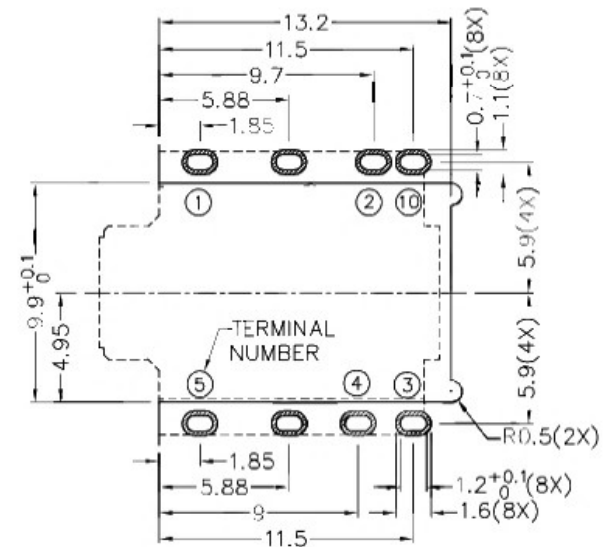
RoHS
Compliant

ZONE	SYMBOL	REVISION	APPROVAL	DATE

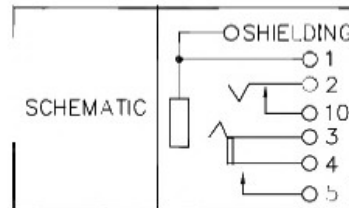
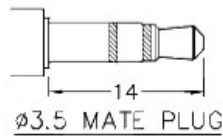


* MATERIAL

- TERMINAL 1 : COPPER ALLOY
- TERMINAL 2 : COPPER ALLOY
- TERMINAL 3 : COPPER ALLOY
- TERMINAL 4 : COPPER ALLOY
- TERMINAL 5 : COPPER ALLOY
- TERMINAL 10 : COPPER ALLOY
- SHIELD : COPPER ALLOY
- BUSHING : BRASS
- HOUSING : HIGH TEMP. PLASTIC



RECOMMENDED PCB LAYOUT
TOLERANCE: ±0.05
(TOP VIEW)



广东科斯达开关厂

DESIGN	G.P.YI	DATE	19-5-2009	SCALE	3:1
DRAWING	T.Y.LI	DATE	26-8-2016	MATERIAL	*
CHECK	H.L.TAN	DATE	26-8-2016	DWG. NO.	TZ\SH516DS-A/1.0
APPROVAL		DATE	26-8-2016	SHEET	

PART NAME	3.5mm SMD STEREO JACK	TOLERANCE UNLESS	0.0±0.2	UNIT:	
PART NO.		OTHERWISE SPECIFIED:	0.00±0.1 0.000±0.05	mm	