

F

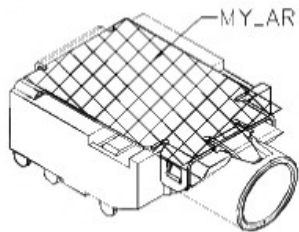
E

D

C

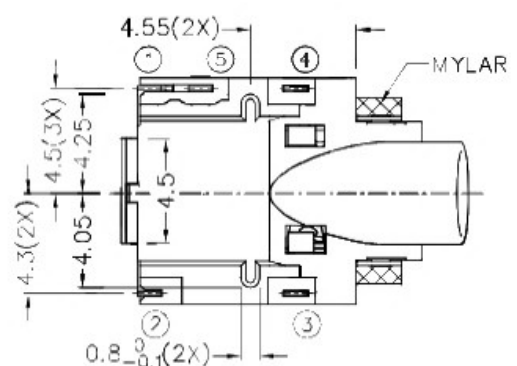
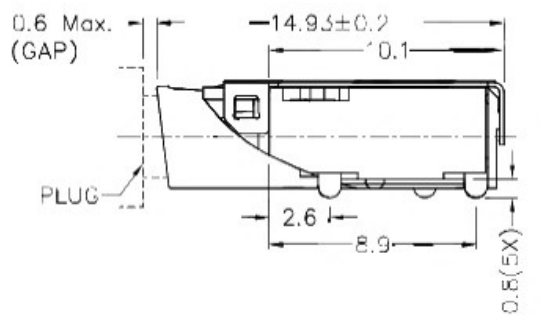
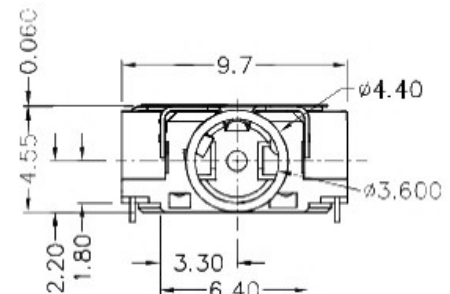
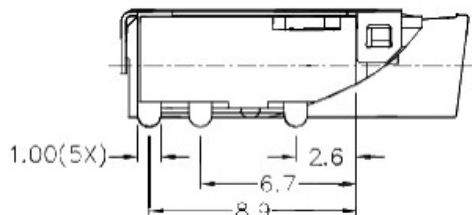
B

A



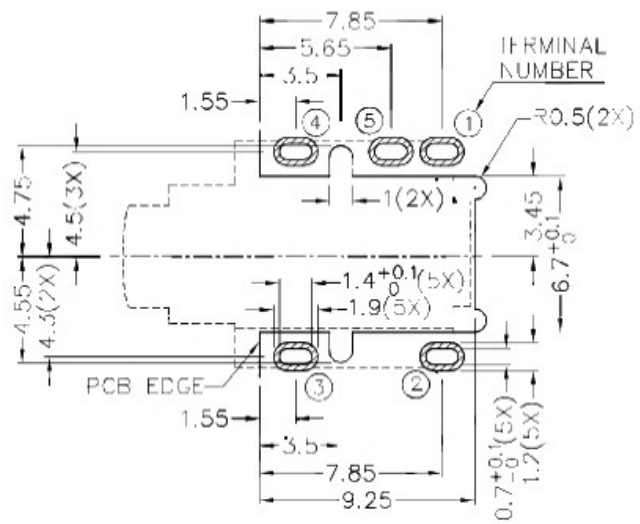
RoHS
Compliant

ZONF	SYMBOL	REVISION	APPROVAL	DATE

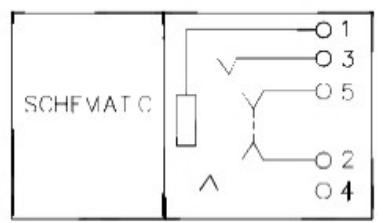
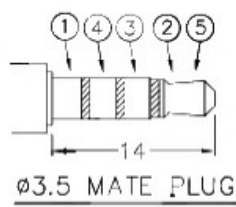


* MATERIAL

- TERMINAL 1 : COPPER ALLOY
- TERMINAL 2 : COPPER ALLOY
- TERMINAL 3 : COPPER ALLOY
- TERMINAL 4 : COPPER ALLOY
- TERMINAL 5 : COPPER ALLOY
- MYLAR : POLYIMIDE
- HOUSING : HIGH TEMP. PLASTIC



RECOMMENDED PCB LAYOUT
TOLERANCE: ±0.05
(TOP VIEW)



广东科斯达开关厂

DESIGN	H.L.IAN	DATE	30-10-2012	SCALE	3:1
DRAWING	J.H.ZHOU	DATE	20-1-2017	MATERIAL	×
CHECK	T.Y.LI	DATE	20-1-2017	DWG. NO.	77\SH-5600T1-A/1.0
APPROVAL		DATE		SHEET	

PART NAME	3.5mm SMD STEREO JACK	TOLERANCE UNLESS	0.0±0.2	UNIT:	mm
PART NO.		OTHERWISE SPECIFIED:	0.00±0.1 0.000±0.05		

F

E

D

C

B

A