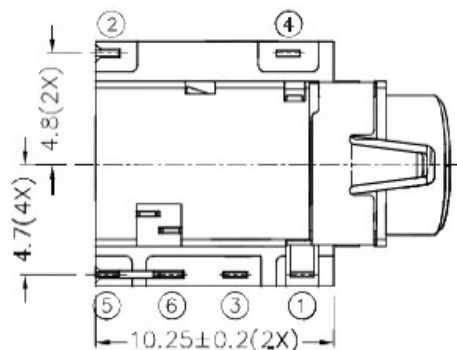
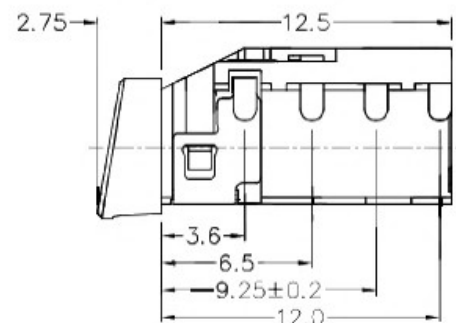
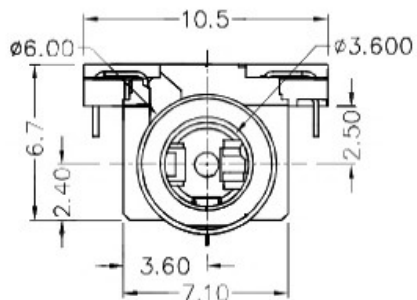
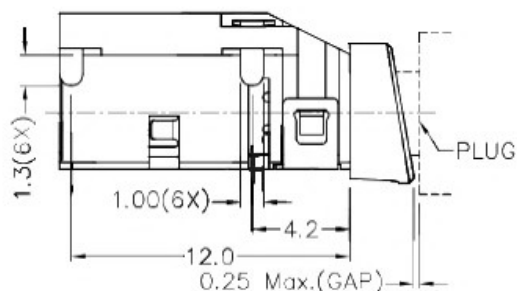


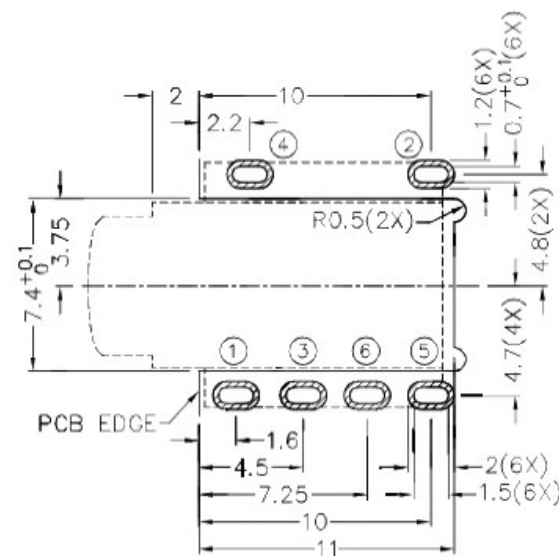
RoHS
Compliant

ZONE	SYMBOL	REVISION	APPROVAL	DATE

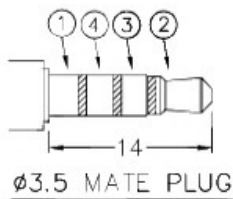


* MATERIAL

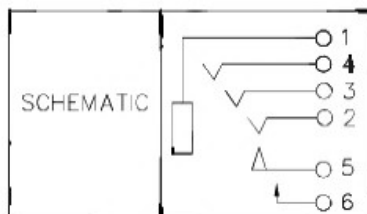
- TERMINAL 1 : COPPER ALLOY
- TERMINAL 2 : COPPER ALLOY
- TERMINAL 3 : COPPER ALLOY
- TERMINAL 4 : COPPER ALLOY
- TERMINAL 5 : COPPER ALLOY
- TERMINAL 6 : COPPER ALLOY
- HOUSING : HIGH TEMP. PLASTIC
- INSULATOR : HIGH TEMP. PLASTIC





RECOMMENDED PCB LAYOUT
TOLERANCE: ±0.05
(TOP VIEW)



φ3.5 MATE PLUG



 广东科斯达开关厂

PART NAME		3.5mm SMD STEREO JACK		TOLERANCE UNLESS 0.0±0.2		UNIT: 		DESIGN	G.P.YI	DATE	9-12-2013	SCALE	3:1
PART NO.				OTHERWISE SPECIFIED: 0.00±0.1		mm		DRAWING	H.Q.ZHOU	DATE	16-2-2017	MATERIAL	*
				0.000±0.05				CHECK	T.Y.LI	DATE	16-2-2017	DWG. NO.	TZ\SH589D-A/1.0
								APPROVAL		DATE		SHEET	