

F

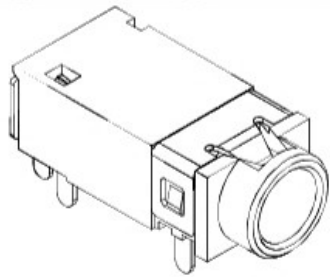
E

D

C

B

A

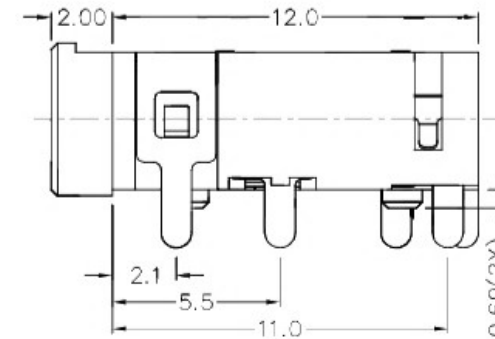
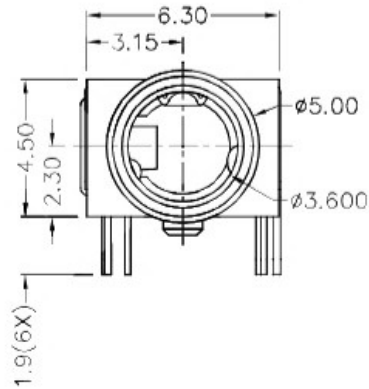
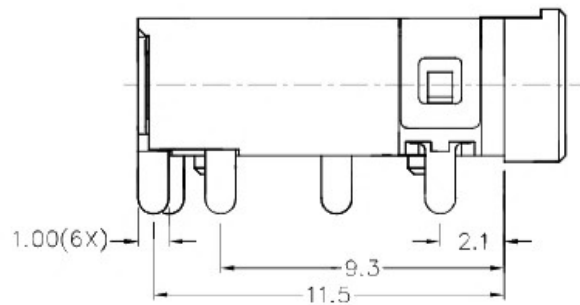


RoHS
Compliant

ZONE	SYMBOL	REVISION	APPROVAL	DATE

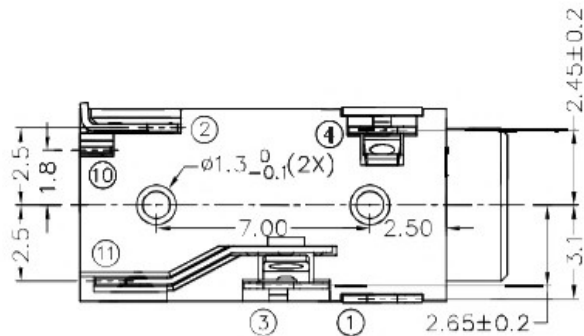
1

1



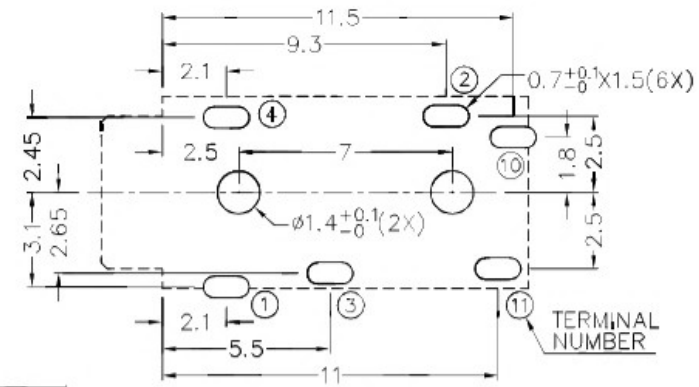
2

2



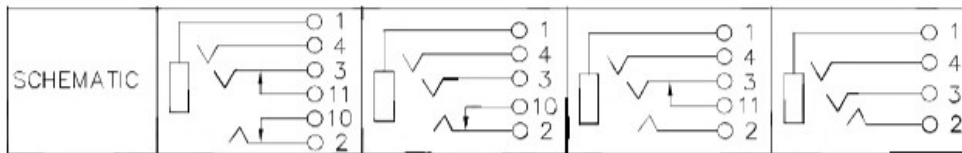
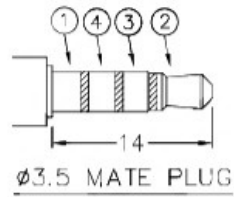
* MATERIAL

TERMINAL 1 : COPPER ALLOY
 TERMINAL 2 : COPPER ALLOY
 TERMINAL 3 : COPPER ALLOY
 TERMINAL 4 : COPPER ALLOY
 TERMINAL 10: BRASS
 TERMINAL 11: BRASS
 HOUSING : HIGH TEMP. PLASTIC



3

3



RECOMMENDED PCB LAYOUT
 TOLERANCE: ±0.05
 (TOP VIEW)

4

4

广东科斯达开关厂

DESIGN	T.Y.LI	DATE	2-10-2007	SCALE	4:1
DRAWING	J.CH.OU	DATE	3-11-2016	MATERIAL	*
CHECK	H.L.TAN	DATE	3-11-2016	DWG. NO.	TZ\SH389-A/1.0
APPROVAL		DATE		SHEET	

PART NAME 3.5mm STEREO JACK

TOLERANCE UNLESS 0.0±0.2
 OTHERWISE SPECIFIED: 0.00±0.1
 0.000±0.05

UNIT: mm



F

E

D

C

B

A