

F

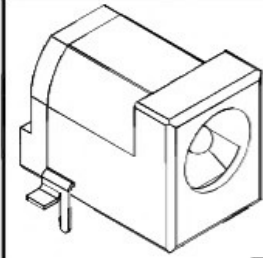
E

D

C

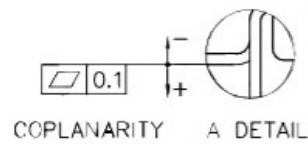
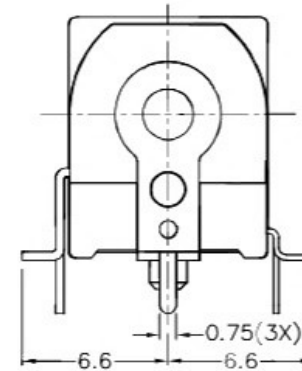
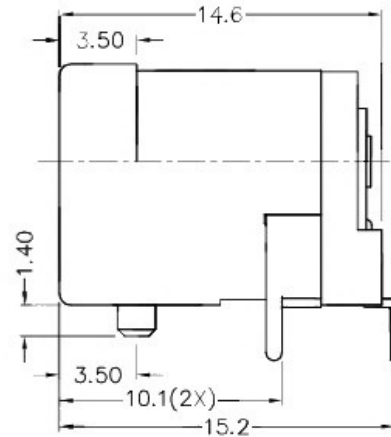
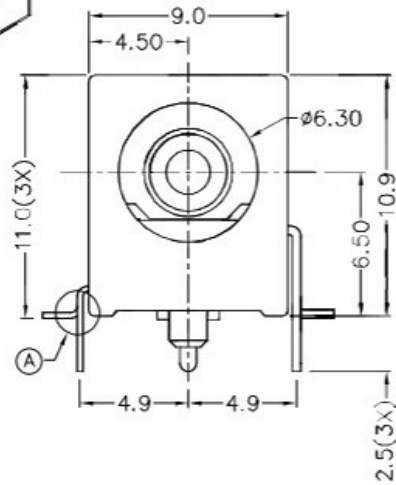
B

A



RoHS  
Compliant

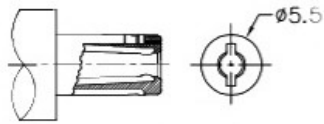
ZONE	SYMBOL	REVISION	APPROVAL	DATE



COPPLANARITY A DETAIL

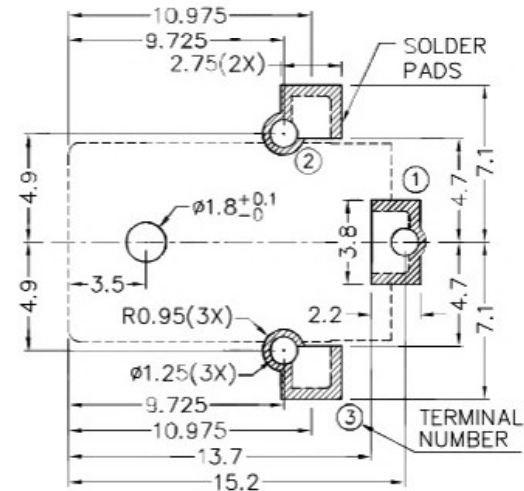
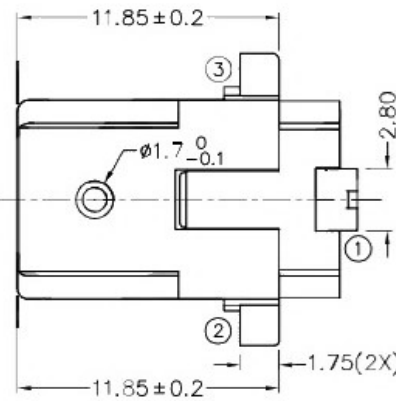
\* MATERIAL

CENTRE PIN : COPPER  
 TERMINAL 1 : BRASS  
 TERMINAL 2 : COPPER ALLOY  
 TERMINAL 3 : BRASS  
 HOUSING : HIGH TEMP. PLASTIC  
 COVER : HIGH TEMP. PLASTIC



DC MATE PLUG

MODEL NO.	
SCHEMATIC	
CENTER PIN	φ2mm
	φ2.5mm



RECOMMENDED PCB LAYOUT  
 TOLERANCE: ±0.05  
 (TOP VIEW)

广东科斯达开关厂

PART NAME HIGH CURRENT SMD DC POWER SOCKET TOLERANCE UNLESS 0.0±0.2  
 PART NO. OTHERWISE SPECIFIED: 0.00±0.1 UNIT: mm

DESIGN	X.N.ZHENG	DATE	28-10-2008	SCALE	3:1
DRAWING	T.Y.LI	DATE	25-8-2016	MATERIAL	*
CHECK	H.L.TAN	DATE	25-8-2016	DWG. NO.	TZ/DC080DH-A/1.0
APPROVAL		DATE	25-8-2016	SHEET	

F

E

D

C

B

A