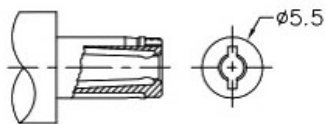
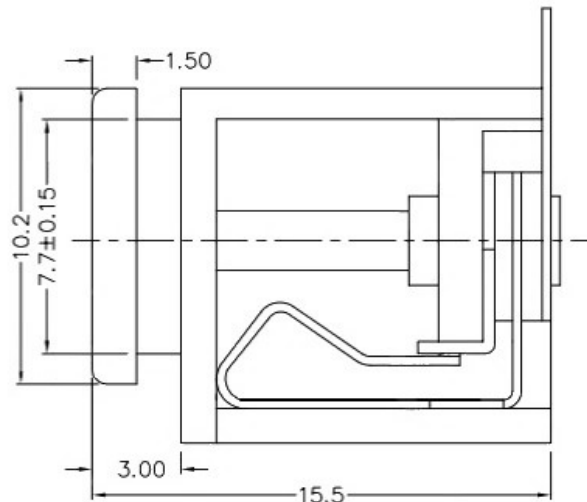
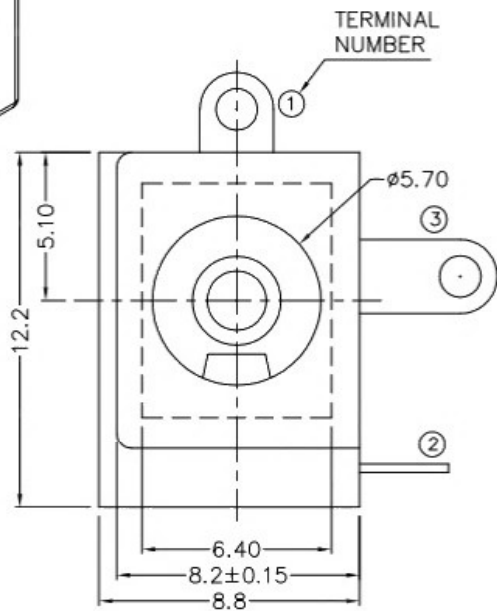
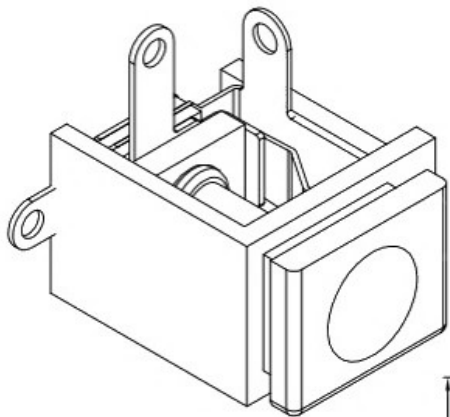


C		B		A	
ZONE	SYMBOL	REVISION	APPROVAL	DATE	

RoHS
Compliant



DC MATE PLUG

MODEL NO.	
SCHEMATIC	
CENTER PIN	∅1.65mm
	∅2mm
	∅2.35mm
	∅2.5mm

* MATERIAL

CENTRE PIN : COPPER
 TERMINAL 1 : BRASS
 TERMINAL 2 : COPPER ALLOY
 TERMINAL 3 : BRASS
 INSULATOR : THERMOPLASTIC
 HOUSING : THERMOPLASTIC

广东科斯达开关厂

DESIGN	L.L.ZHANG	DATE	26-9-2005	SCALE	4:1
DRAWING	H.Q.ZHOU	DATE	14-9-2016	MATERIAL	*
CHECK	T.Y.LI	DATE	14-9-2016	DWG. NO.	TZ\DC005-B/1.0
APPROVAL		DATE	14-9-2016	SHEET	

PART NAME	DC POWER SOCKET	TOLERANCE UNLESS	0.0±0.2	UNIT:
PART NO.		OTHERWISE SPECIFIED:	0.00±0.1 0.000±0.05	