

F

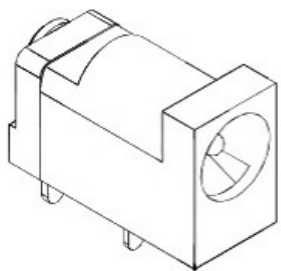
E

D

C

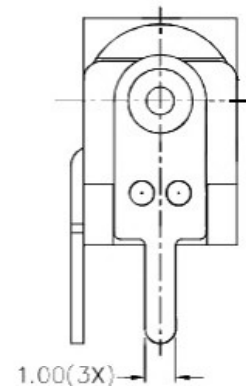
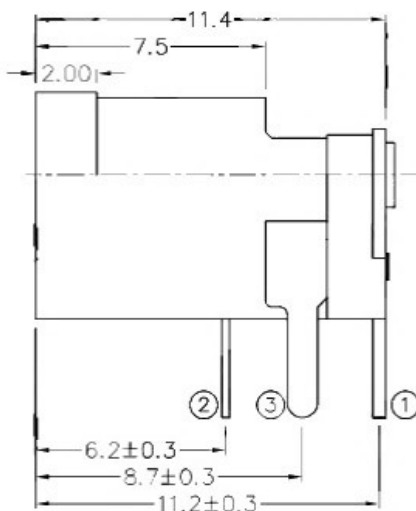
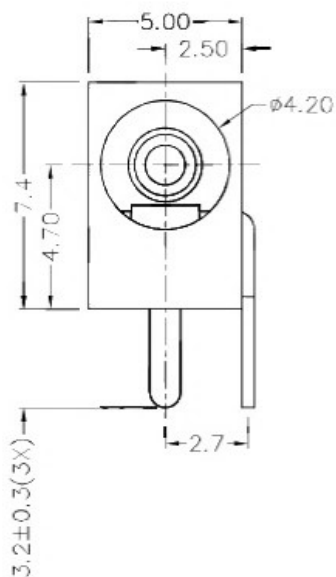
B

A



ZONE	SYMBOL	REVISION	APPROVAL	DATE
		ADJUST THE RECOMMENDED DC	J.X.KUANG	8-10-2019
		MATING PLUG		

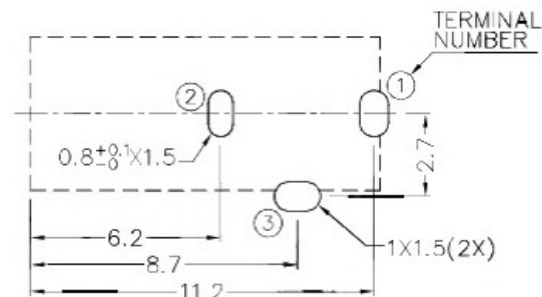
RoHS
Compliant



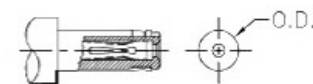
SCHEMATIC		
CENTER PIN	φ1.000mm	φ1.650mm
DC PLUG O.D.	φ3.5mm	φ4mm

* MATERIAL

CENTRE PIN : COPPER
 TERMINAL 1 : BRASS
 TERMINAL 2 : COPPER ALLOY
 TERMINAL 3 : BRASS
 HOUSING : THERMOPLASTIC
 COVER : THERMOPLASTIC



RECOMMENDED PCB LAYOUT
 TOLERANCE: ±0.05
 (TOP VIEW)



RECOMMENDED
 DC MATING PLUG

广东科斯达开关厂

PART NAME	DC POWER SOCKET	TOLERANCE UNLESS	0.0±0.2	UNIT:		DESIGN	J.X.KUANG	DATE	17-9-2005	SCALE	4:1
PART NO.		OTHERWISE SPECIFIED:	0.00±0.1	mm		DRAWING	H.Q.ZHOU	DATE	8-10-2019	MATERIAL	*
			0.000±0.05			CHECK	T.Y.LI	DATE	8-10-2019	DWG. NO.	TZ\DC009-1-B/1.2
						APPROVAL		DATE		SHEET	

F

E

D

C

B

A