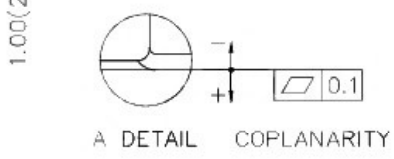
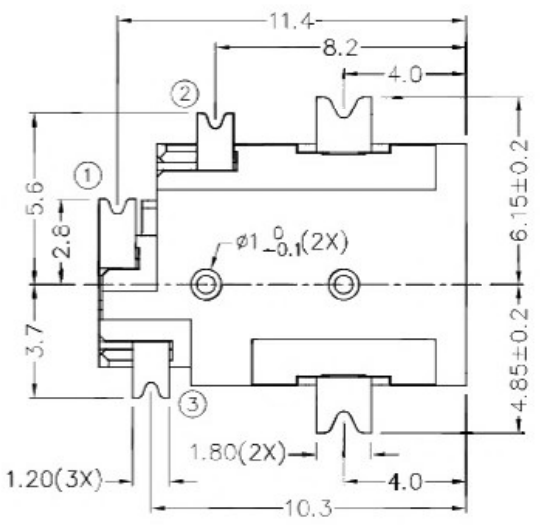
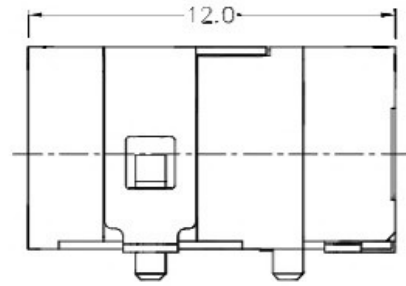
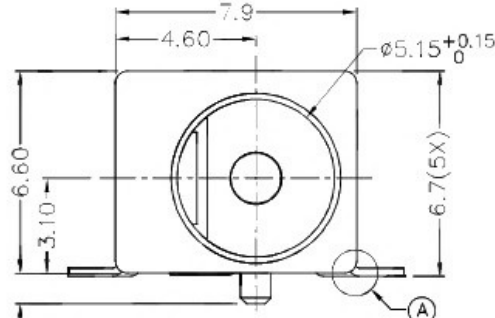
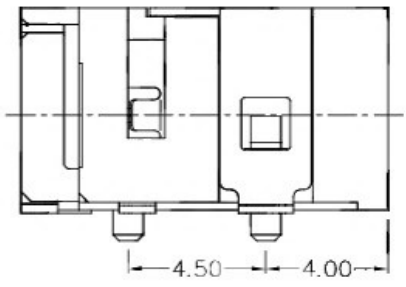
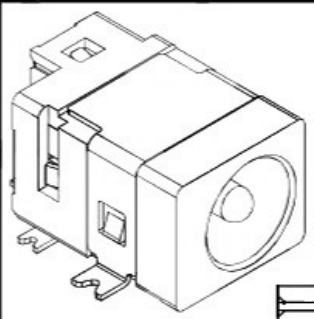
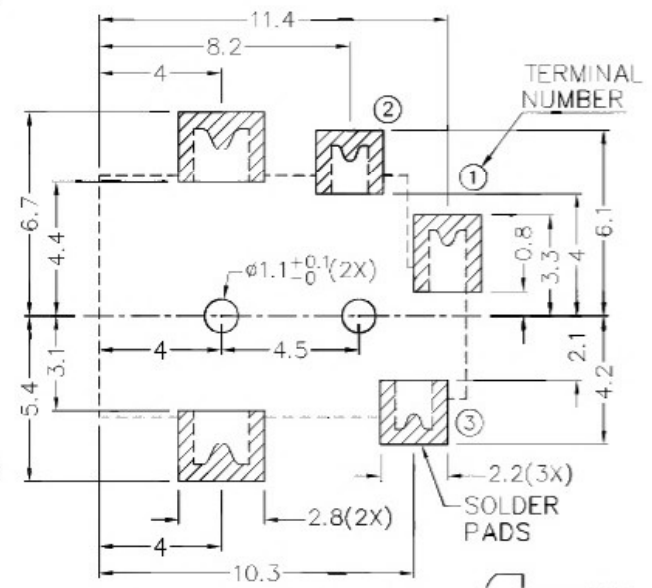


ZONE	SYMBOL	REVISION	APPROVAL	DATE
		ADJUST THE RECOMMENDED DC MATING PLUG	J.X.KUANG	8-10-2019

RoHS
Compliant

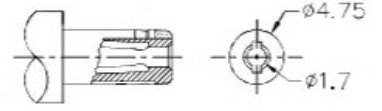


* MATERIAL
 TERMINAL 1 : BRASS
 TERMINAL 2 : COPPER ALLOY
 TERMINAL 3 : BRASS
 SHIELD : BRASS
 HOUSING : HIGH TEMP. PLASTIC



SCHEMATIC	
CENTER PIN	$\phi 1.650\text{mm}$

RECOMMENDED PCB LAYOUT
 TOLERANCE: ± 0.05
 (TOP VIEW)



RECOMMENDED
 DC MATING PLUG

广东科斯达开关厂

PART NAME		HIGH CURRENT SMD DC POWER SOCKET	TOLFRANCE UNLESS	0.0±0.2 0.00±0.1	UNIT:		DESIGN	J.CHEN	DATE	16-9-2011	SCALE	4:1
PART NO.			OTHERWISE SPECIFIED:	0.000±0.05			DRAWING	H.Q.ZHOU	DATE	8-10-2019	MATERIAL	*
							CHFK	T.Y.LI	DATE	8-10-2019	DWG. NO.	TZ\DC096DHS-A/1.1
							APPROVAL		DATE		SHEET	