

F

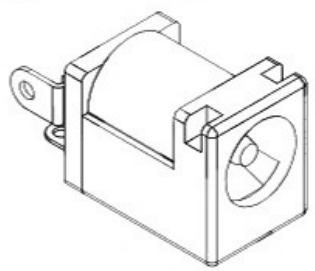
E

D

C

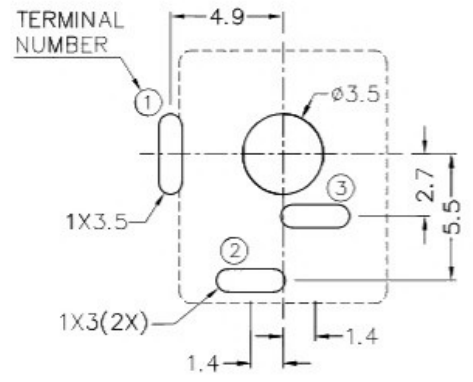
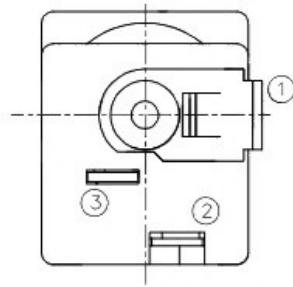
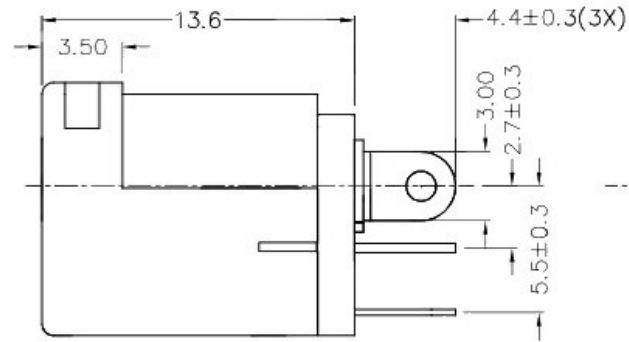
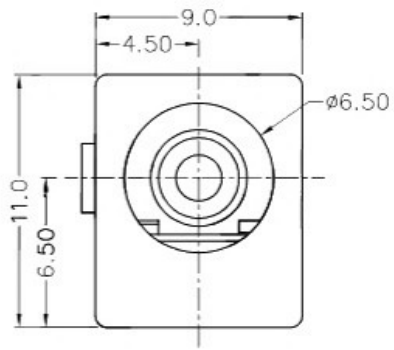
B

A

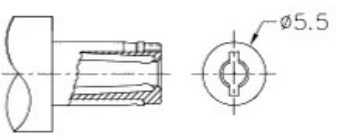


RoHS
Compliant

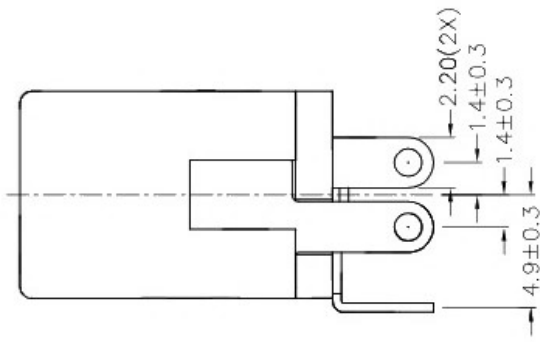
ZONE	SYMBOL	REVISION	APPROVAL	DATE



RECOMMENDED PCB LAYOUT
TOLERANCE: ±0.05
(TOP VIEW)



DC MATE PLUG



MODEL NO.	
SCHEMATIC	
CENTER PIN	φ1.65mm
	φ2mm
	φ2.5mm

* MATERIAL
 CENTRE PIN : COPPER
 TERMINAL 1 : BRASS
 TERMINAL 2 : COPPER ALLOY
 TERMINAL 3 : BRASS
 HOUSING : THERMOPLASTIC
 COVER : THERMOPLASTIC

广东科斯达开关厂

PART NAME	DC POWER SOCKET	TOLERANCE UNLESS	0.0±0.2	UNIT:
PART NO.		OTHERWISE SPECIFIED:	0.00±0.1 0.000±0.05	

DESIGN	J.X.KUANG	DATE	9-10-2003	SCALE	3:1
DRAWING	H.Q.ZHOU	DATE	5-12-2016	MATERIAL	*
CHECK	T.Y.LI	DATE	5-12-2016	DWG. NO.	TZ\DC010-B/1.0
APPROVAL		DATE		SHEET	

F

E

D

C

B

A