

F

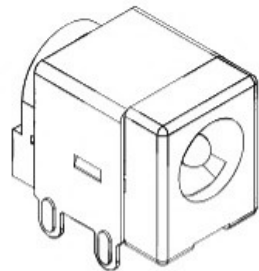
E

D

C

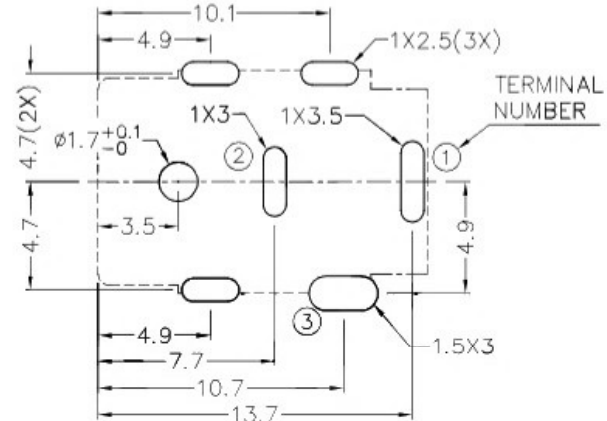
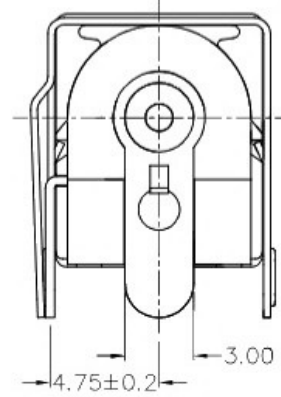
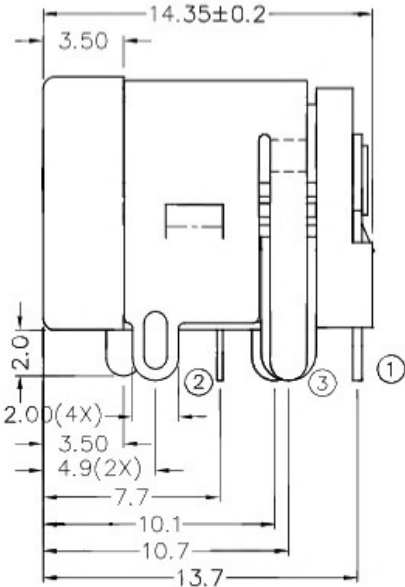
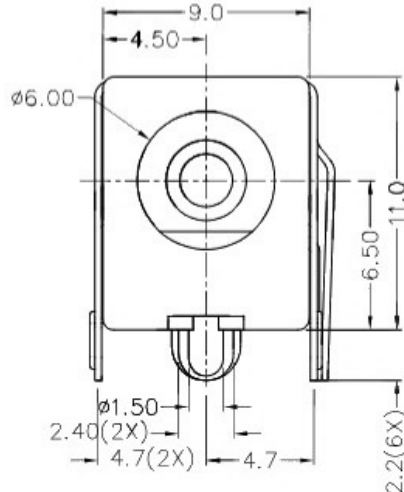
B

A

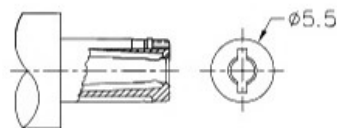


RoHS  
Compliant

ZONE	SYMBOL	REVISION	APPROVAL	DATE



RECOMMENDED PCB LAYOUT  
TOLERANCE: ±0.05  
(TOP VIEW)



DC MATE PLUG

SCHEMATIC	
CENTER PIN	ø1.65mm
	ø2mm
	ø2.35mm
	ø2.5mm

- \* MATERIAL
- CENTRE PIN : COPPER
  - TERMINAL 1 : BRASS
  - TERMINAL 2 : COPPER ALLOY
  - TERMINAL 3 : BRASS
  - SHIELD : BRASS
  - HOUSING : THERMOPLASTIC
  - COVER : THERMOPLASTIC

广东科斯达开关厂

DESIGN	J.JIANG	DATE	22-12-2004	SCALE	3:1
DRAWING	T.Y.LI	DATE	31-10-2016	MATERIAL	*
CHECK	H.L.TAN	DATE	31-10-2016	DWG. NO.	TZ\DC047S-B/1.0
APPROVAL		DATE		SHEET	

PART NAME	DC POWER SOCKET	TOLERANCE UNLESS	0.0±0.2	UNIT:
PART NO.		OTHERWISE SPECIFIED:	0.00±0.1 0.000±0.05	

F

E

D

C

B

A