

RoHS
Compliant

ZONE	SYMBOL	REVISION	APPROVAL	DATE
		ADJUST THE RECOMMENDED DC MATING PLUG	J.X.KUANG	8-10-2019

1

1

2

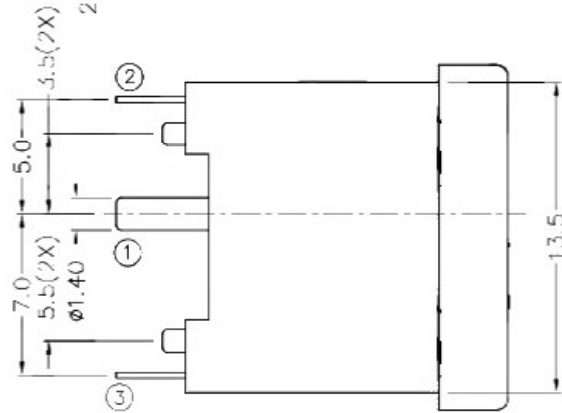
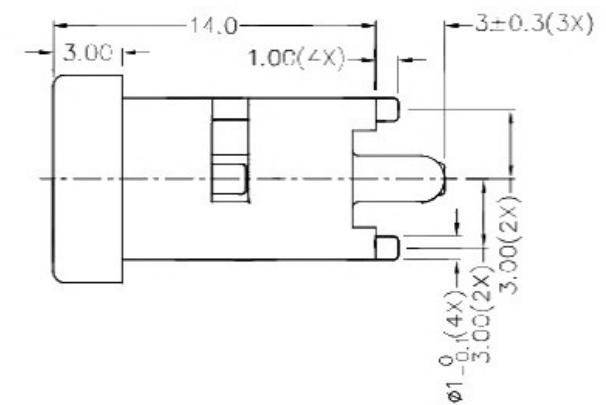
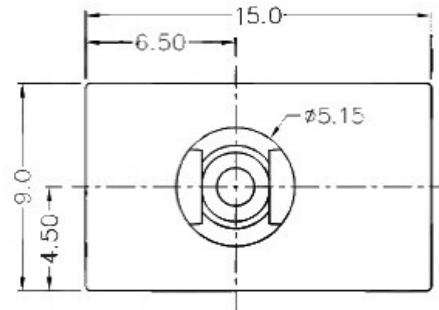
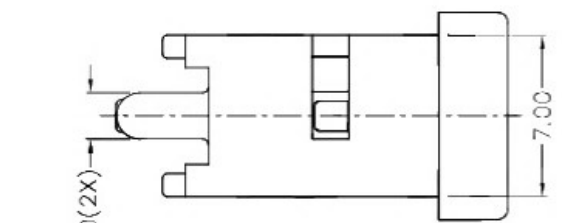
2

3

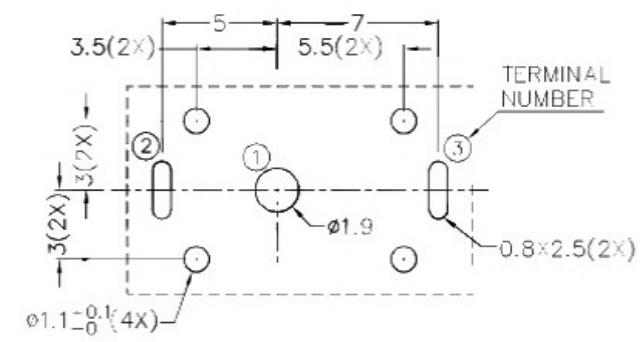
3

4

4

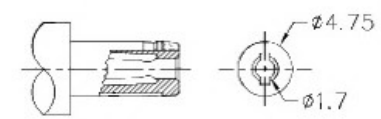


*** MATERIAL**
 TERMINAL 1 : COPPER
 TERMINAL 2 : COPPER ALLOY
 TERMINAL 3 : COPPER ALLOY
 HOUSING : THERMOPLASTIC



RECOMMENDED PCB LAYOUT
 TOLERANCE: ±0.05
 (TOP VIEW)

MODEL NO.	
SCHMATIC	
CENTRE PIN	$\phi 1.650\text{mm}$



RECOMMENDED
 DC MATING PLUG

广东科斯达开关厂

DESIGN	J.X.KUANG	DATE	10-10-2005	SCALE	3:1
DRAWING	H.Q.ZHOU	DATE	8-10-2019	MATERIAL	*
CHECK	T.Y.LI	DATE	8-10-2019	DWG. NO.	TZ\DC046-B/1.1
APPROVAL		DATE		SHEET	

PART NAME	DC POWER SOCKET	TOLERANCE UNLESS OTHERWISE SPECIFIED:	0.0±0.2 0.00±0.1 0.000±0.05	UNIT:	
PART NO.					

F E D C B A