

F

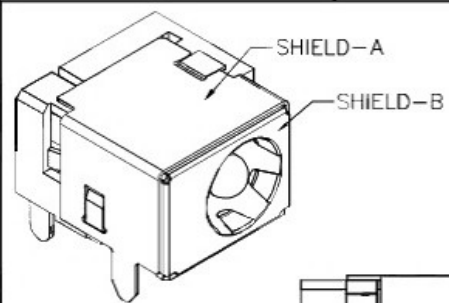
E

D

C

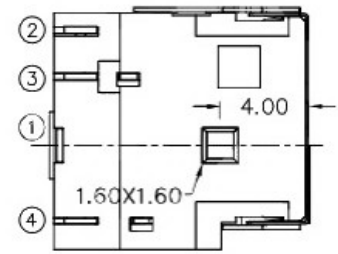
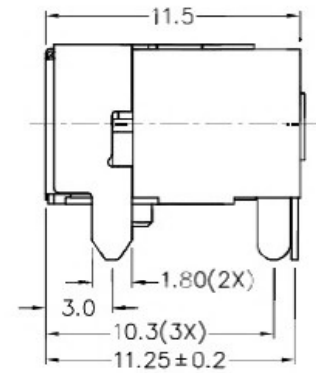
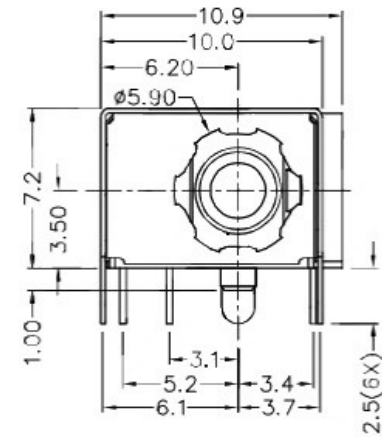
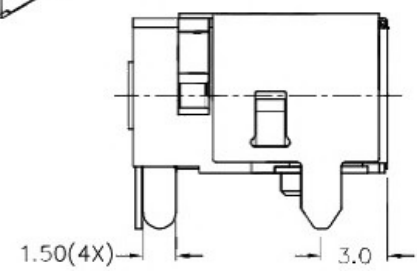
B

A

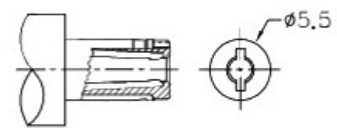
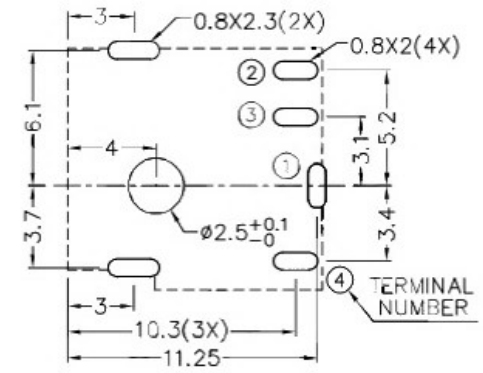


RoHS
Compliant

ZONE	SYMBOL	REVISION	APPROVAL	DATE



- * MATERIAL**
- CENTRE PIN : COPPER
 - TERMINAL 1 : BRASS
 - TERMINAL 2 : COPPER ALLOY
 - TERMINAL 3 : BRASS
 - TERMINAL 4 : COPPER ALLOY
 - SHIELD-A : BRASS
 - SHIELD-B : STAINLESS STEEL
 - HOUSING : HIGH TEMP. PLASTIC



DC MATE PLUG

SCHEMATIC	1 4 3 2
CENTER PIN	ø1.65mm
	ø2mm
	ø2.5mm

RECOMMENDED PCB LAYOUT
TOLERANCE: ±0.05
(TOP VIEW)

广东科斯达开关厂

PART NAME	HIGH CURRENT DC POWER SOCKET	TOLERANCE UNLESS	0.0±0.2	UNIT:	
PART NO.		OTHERWISE SPECIFIED:	0.00±0.1 0.000±0.05	mm	

DESIGN	G.P.YI	DATE	3-3-2012	SCALE	3:1
DRAWING	J.H.ZHOU	DATE	8-9-2016	MATERIAL	*
CHECK	T.Y.LI	DATE	8-9-2016	DWG. NO.	TZ\DC098HS-A/1.0
APPROVAL		DATE	8-9-2016	SHEET	

F

E

D

C

B

A