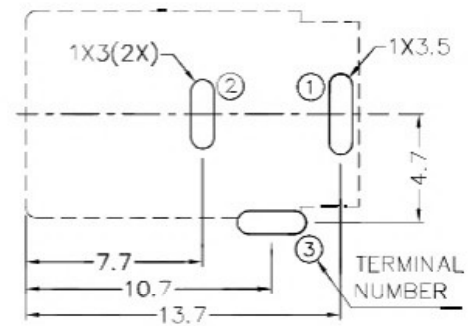
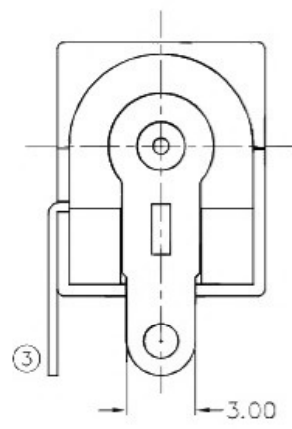
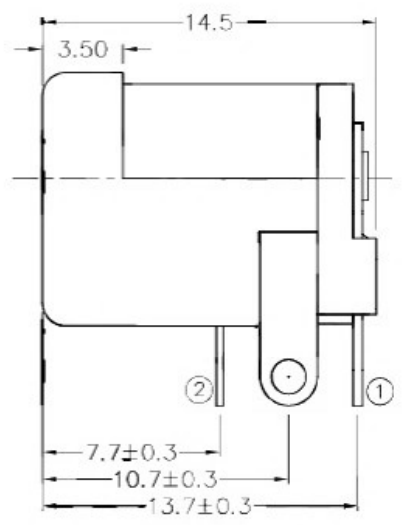
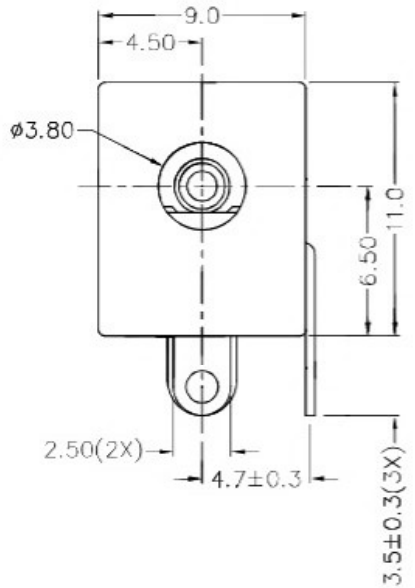
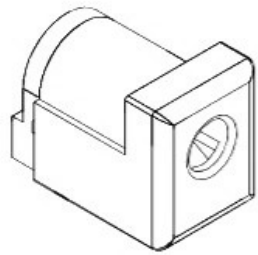


ZONE	SYMBOL	REVISION	APPROVAL	DATE
		ADJUST THE RECOMMENDED DC	J.X.KUANG	8-10-2019
		MATING PLUG		

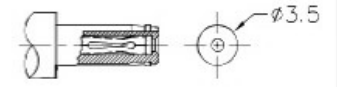
RoHS
Compliant



RECOMMENDED PCB LAYOUT
TOLERANCE: ±0.05
(TOP VIEW)

MODEL NO.	
SCHEMATIC	
CENTER PIN	$\phi 1.000\text{mm}$ $\phi 1.300\text{mm}$

* MATERIAL
CENTRE PIN : COPPER
TERMINAL 1 : BRASS
TERMINAL 2 : COPPER ALLOY
TERMINAL 3 : BRASS
HOUSING : THERMOPLASTIC
COVER : THERMOPLASTIC



RECOMMENDED
DC MATING PLUG

广东科斯达开关厂

PART NAME	DC POWER SOCKET	TOLERANCE UNLESS	0.0±0.2	UNIT:		DESIGN	J.X.KUANG	DATE	9-10-2003	SCALE	3:1
PART NO.		OTHERWISE SPECIFIED:	0.00±0.1 0.000±0.05	mm		DRAWING	H.Q.ZHOU	DATE	8-10-2019	MATERIAL	*
						CHECK	T.Y.LI	DATE	8-10-2019	DWG. NO.	TZ\PC014-1-B/1.1
						APPROVAL		DATE		SHEET	