

F

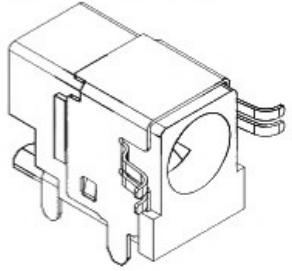
E

D

C

B

A

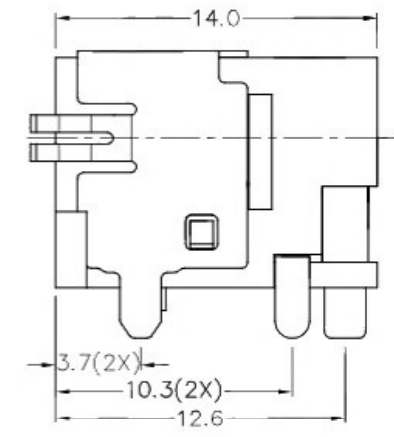
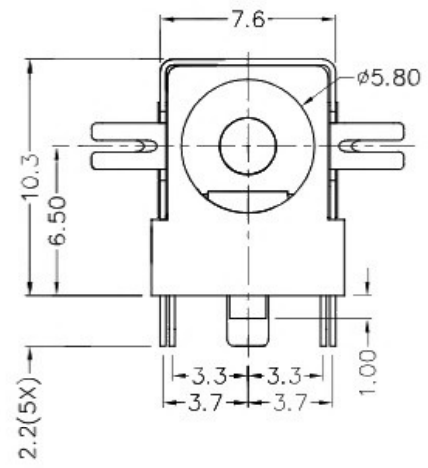
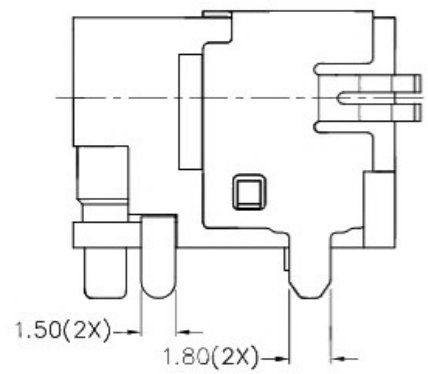


RoHS  
Compliant

ZONE	SYMBOL	REVISION	APPROVAL	DATE

1

1

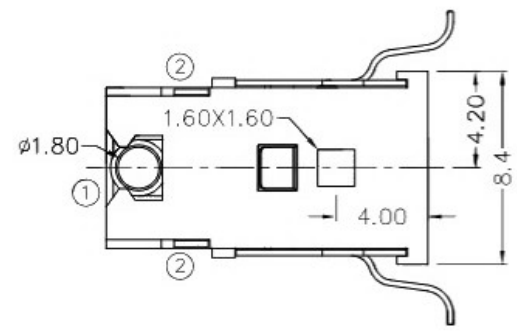


2

2

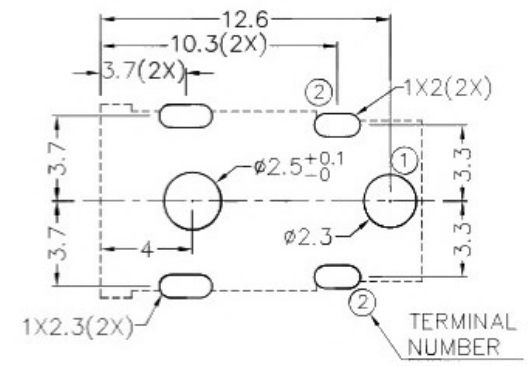
3

3



\* MATERIAL  
 TERMINAL 1 : COPPER  
 TERMINAL 2 : COPPER ALLOY  
 SHIELD : COPPER ALLOY  
 HOUSING : THERMOPLASTIC

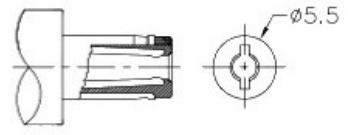
SCHEMATIC	
CENTER PIN	φ2mm
	φ2.5mm



RECOMMENDED PCB LAYOUT  
 TOLERANCE: ±0.05  
 (TOP VIEW)

4

4



DC MATE PLUG

广东科斯达开关厂

DESIGN	T.Y.LI	DATE	11-10-2003	SCALE	3:1
DRAWING	J.H.ZHOU	DATE	2-11-2016	MATERIAL	*
CHECK	H.L.TAN	DATE	2-11-2016	DWG. NO.	TZ\DC044S-1-B/1.0
APPROVAL		DATE		SHEET	

PART NAME	DC POWER SOCKET	TOLERANCE UNLESS	0.0±0.2	UNIT:	
PART NO.	TDC-044S-1	OTHERWISE SPECIFIED:	0.00±0.1 0.000±0.05	mm	

F

E

D

C

B

A