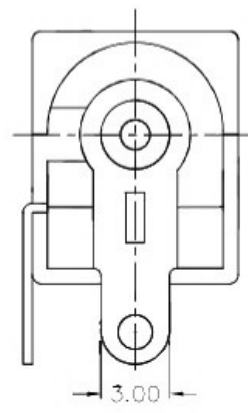
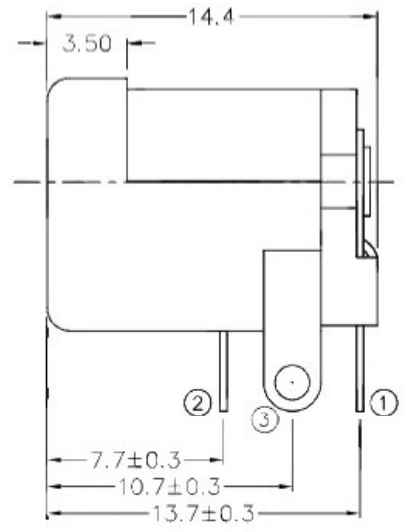
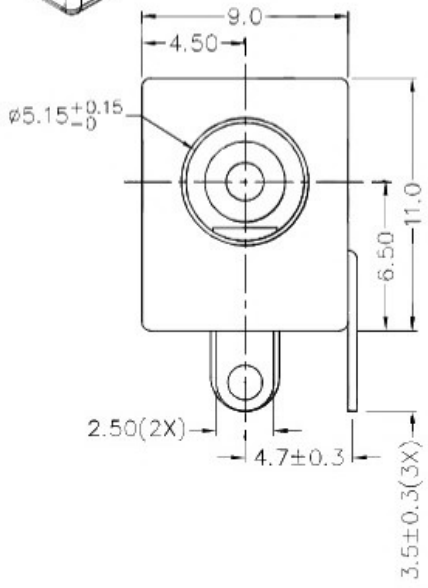
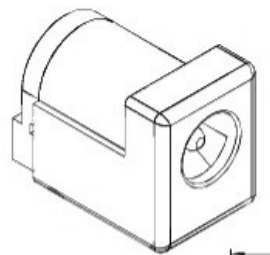


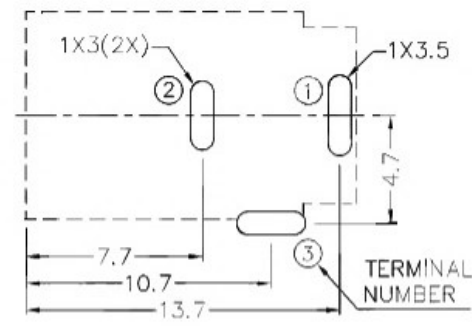
ZONE	SYMBOL	REVISION	APPROVAL	DATE
		ADJUST THE RECOMMENDED DC MATING PLUG	J.X.KUANG	8-10-2019

RoHS
Compliant

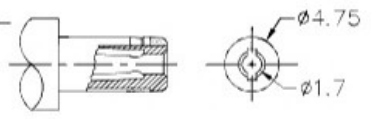


MODEL NO.	
SCHEMATIC	
CENTER PIN	∅1.650mm

* MATERIAL
 CENTRE PIN : COPPER
 TERMINAL 1 : BRASS
 TERMINAL 2 : COPPER ALLOY
 TERMINAL 3 : BRASS
 HOUSING : THERMOPLASTIC
 COVER : THERMOPLASTIC



RECOMMENDED PCB LAYOUT
 TOLERANCE: ±0.05
 (TOP VIEW)



RECOMMENDED
 DC MATING PLUG

广东科斯达开关厂

DESIGN	T.Y.LI	DATE	6-9-2012	SCALE	3:1
DRAWING	H.Q.ZHOU	DATE	8-10-2019	MATERIAL	*
CHFC	H.L.TAN	DATE	8-10-2019	DWG. NO.	TZ\DC102-B/1.1
APPROVAL		DATE		SHEET	A

PART NAME	DC POWER SOCKET	TOLFRANCE UNLESS	0.0±0.2	UNIT:	
PART NO.		OTHERWISE SPECIFIED:	0.00±0.1 0.000±0.05	mm	