

F

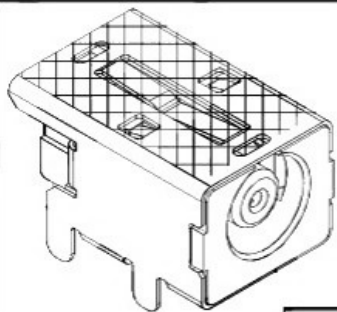
E

D

C

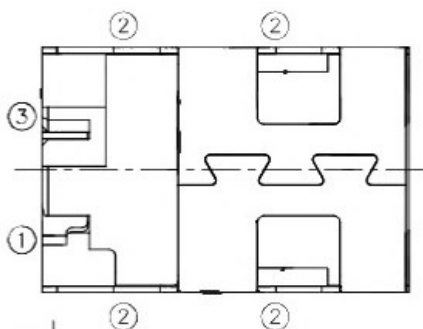
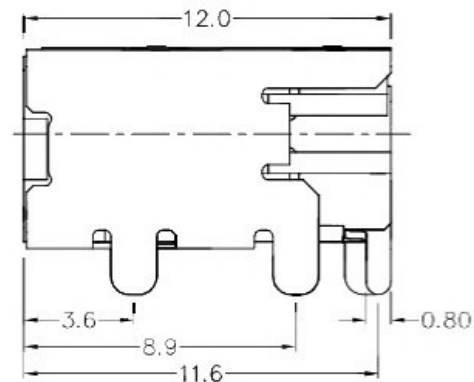
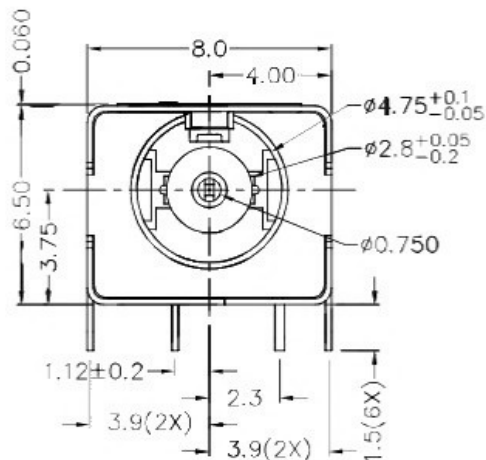
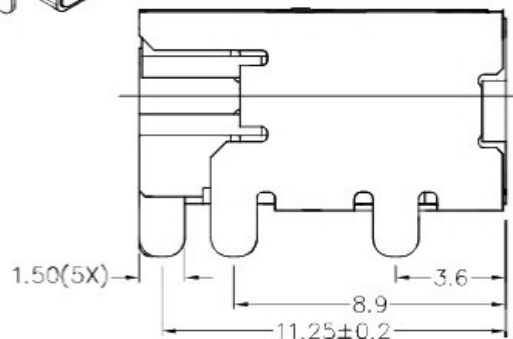
B

A



RoHS
Compliant

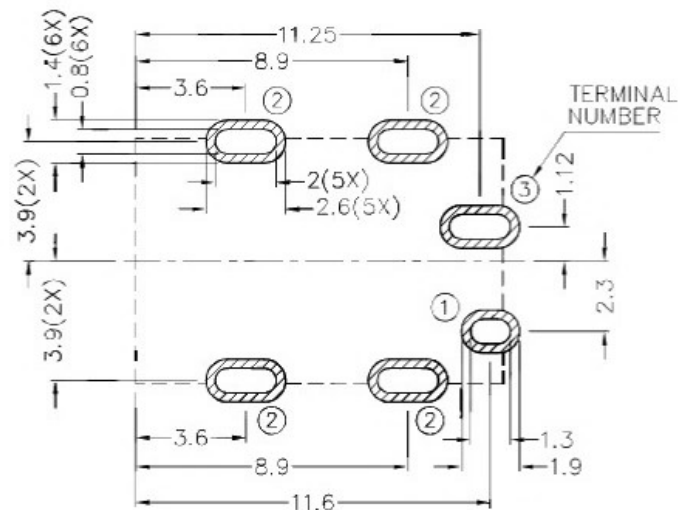
ZONE	SYMBOL	REVISION	APPROVAL	DATE



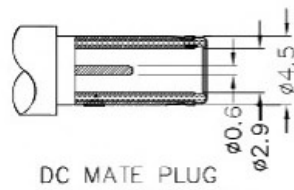
* MATERIAL

TERMINAL 1 : COPPER ALLOY
TERMINAL 2 : COPPER ALLOY
TERMINAL 3 : COPPER ALLOY
HOUSING : HIGH TEMP. PLASTIC
MYLAR : POLYIMIDE

MODEL NO.	
SCHEMATIC	3(V+) 1(S) 2(V-)



RECOMMENDED PCB LAYOUT
TOLERANCE: ±0.05
(TOP VIEW)



广东科斯达开关厂

PART NAME	HIGH CURRENT DC POWER SOCKET	TOLERANCE UNLESS	0.0±0.2	UNIT:	mm
PART NO.		OTHERWISE SPECIFIED:	0.00±0.1 0.000±0.05		

DESIGN	CH.XIONG	DATE	22-10-2012	SCALE	4:1
DRAWING	H.Q.ZHOU	DATE	16-11-2016	MATERIAL	*
CHECK	T.Y.LI	DATE	16-11-2016	DWG. NO.	TZ\DC108HT1-A/1.0
APPROVAL		DATE		SHEET	

F

E

D

C

B

A