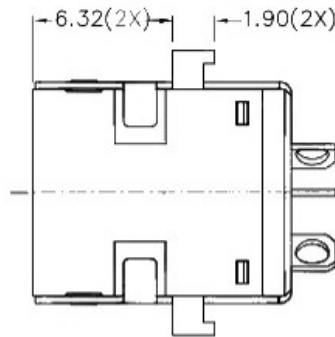
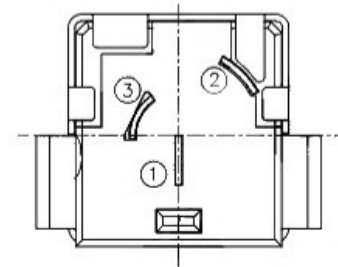
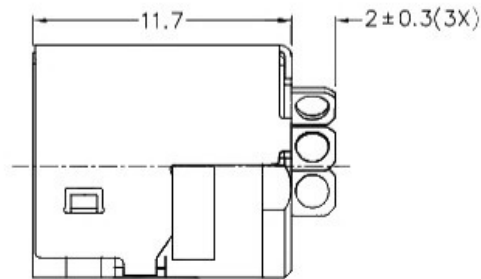
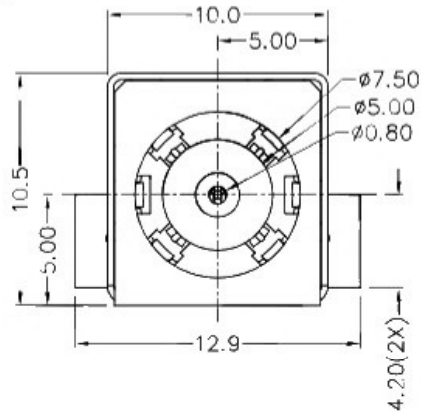
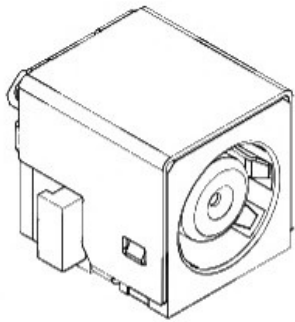


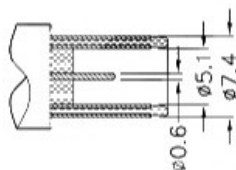
C		B		A	
ZONE	SYMBOL	REVISION	APPROVAL	DATE	

RoHS
Compliant



* MATERIAL

TERMINAL 1 : COPPER ALLOY
 TERMINAL 2 : COPPER ALLOY
 TERMINAL 3 : COPPER ALLOY
 SHIELD : BRASS
 HOUSING : HIGH TEMP. PLASTIC
 COVER : HIGH TEMP. PLASTIC



DC MATE PLUG

MODEL NO.	
SCHEMATIC	

广东科斯达开关厂

PART NAME	HIGH CURRENT DC POWER SOCKET	TOLERANCE UNLESS	0.0±0.2	UNIT:	
PART NO.		OTHERWISE SPECIFIED:	0.00±0.1 0.000±0.05	mm	

DESIGN	H.L.TAN	DATE	11-9-2012	SCALE	3:1
DRAWING	J.H.ZHOU	DATE	13-10-2016	MATERIAL	*
CHECK	T.Y.LI	DATE	13-10-2016	DWG. NO.	TZ\DC105HS-A/1.0
APPROVAL		DATE		SHEET	