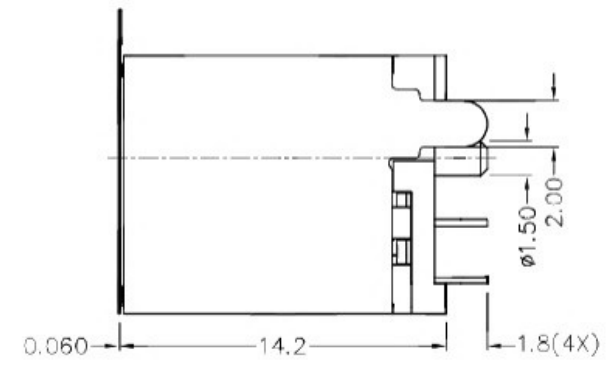
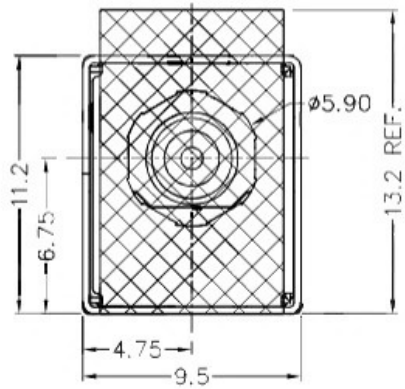
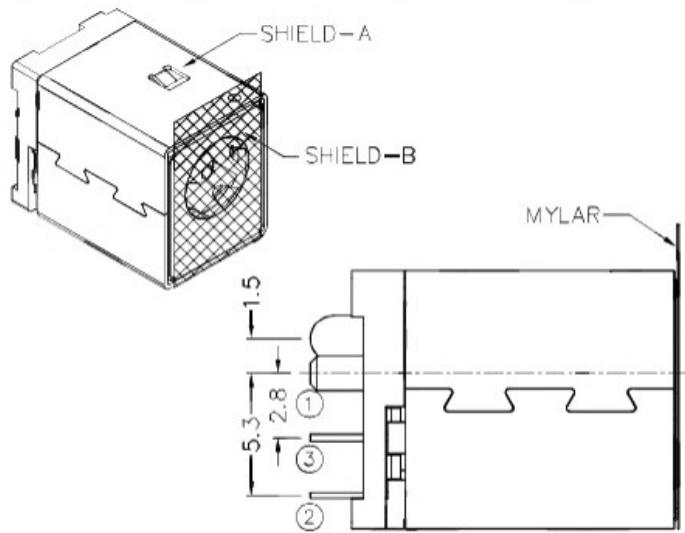


F E D C B A

ZONE	SYMBOL	REVISION	APPROVAL	DATE

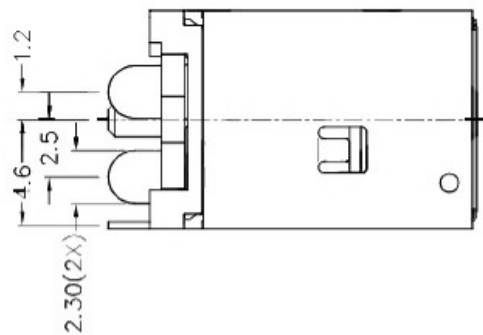
RoHS  
Compliant

1



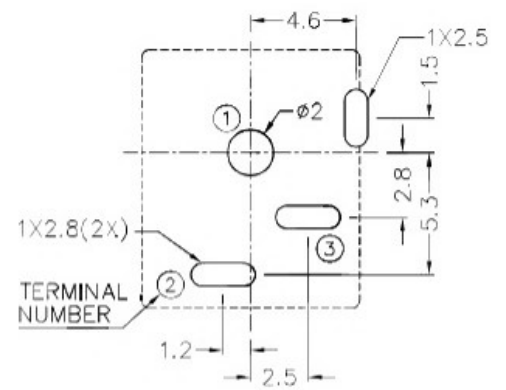
2

3



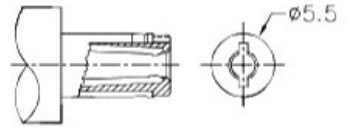
\* MATERIAL

- TERMINAL 1 : COPPER
- TERMINAL 2 : COPPER ALLOY
- TERMINAL 3 : BRASS
- SHIELD-A : BRASS
- SHIELD-B : STAINLESS STEEL
- COVER : HIGH TEMP. PLASTIC
- HOUSING : HIGH TEMP. PLASTIC
- MYLAR : POLYIMIDE



RECOMMENDED PCB LAYOUT  
TOLERANCE: ±0.05  
(TOP VIEW)

4



DC MATE PLUG

SCHEMATIC	
CENTER PIN	φ1.65mm φ2.5mm

广东科斯达开关厂

DESIGN	CH.XIONG	DATE	13-4-2012	SCALE	3:1
DRAWING	J.H.ZHOU	DATE	11-11-2016	MATERIAL	*
CHECK	T.Y.LI	DATE	11-11-2016	DWG. NO.	TZ\DC101HST1-A/1.0
APPROVAL		DATE		SHEET	

PART NAME	HIGH CURRENT DC POWER SOCKET	TOLERANCE UNLESS	0.0±0.2	UNIT:	mm
PART NO.		OTHERWISE SPECIFIED:	0.00±0.1 0.000±0.05		

F E D C B A