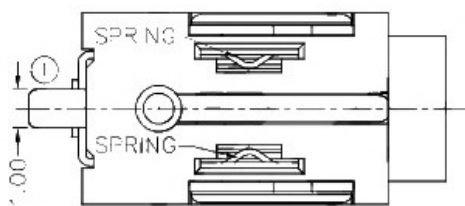
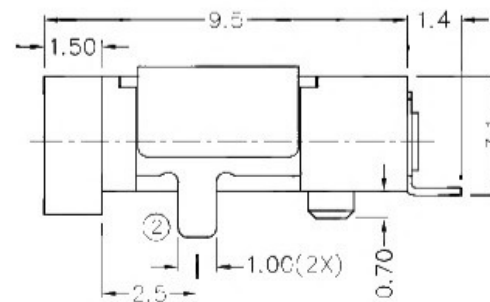
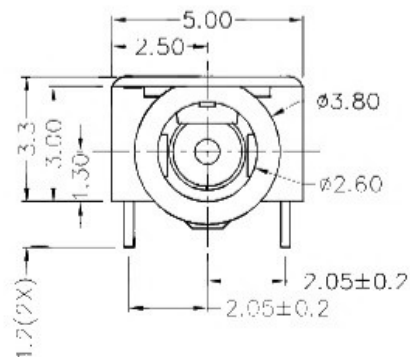
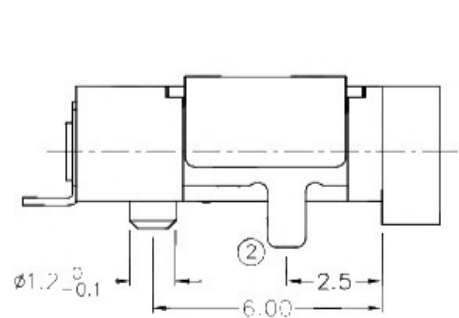


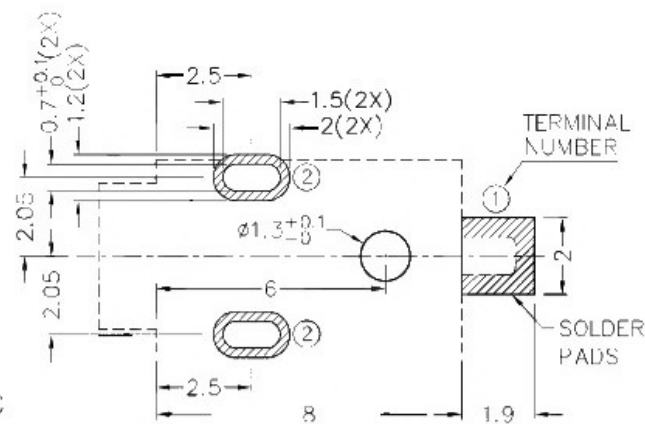
RoHS  
Compliant

| ZONF | SYMBOL | REVISION                                   | APPROVAL  | DATE      |
|------|--------|--|-----------|-----------|
|      |        | SHIELD MATERIAL CHANGED TO STAINLESS STEEL | J.X.KUANG | 28-3-2020 |
|      |        |  |           |           |



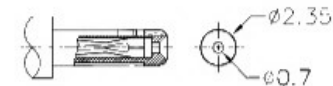
× MATERIAL

CENTRE PIN : COPPER  
 TERMINAL 1 : BRASS  
 TERMINAL 2 : COPPER ALLOY  
 SPRING : STAINLESS STEEL  
 SHIELD : STAINLESS STEEL  
 HOUSING : HIGH TEMP. PLASTIC



RECOMMENDED PCB LAYOUT  
 TOLERANCE:  $\pm 0.05$   
 (TOP VIEW)

|            |  |                       |
|------------|--|-----------------------|
| SCHEMATIC  |  | 1                     |
|            |  | 2                     |
| CENTER PIN |  | $\phi 0.650\text{mm}$ |



RECOMMENDED  
 DC MATING PLUG

广东科斯达开关厂

|          |          |      |           |          |                    |
|----------|----------|------|-----------|----------|--------------------|
| DESIGN   | T.Y.L    | DATE | 12-9-2005 | SCALE    | 5:1                |
| DRAWING  | H.Q.ZHOU | DATE | 28-3-2020 | MATERIAL | *                  |
| CHECK    | H.L.TAN  | DATE | 28-3-2020 | DWG. NO. | TZ\DC063DS-3-A/3.0 |
| APPROVAL |          | DATE |           | SHEET    | 1/1                |

|           |                     |                      |                  |       |  |
|-----------|---------------------|----------------------|------------------|-------|--|
| PART NAME | SMD DC POWER SOCKET | TOLERANCE UNLESS     | $0.0 \pm 0.2$    | UNIT: |  |
| PART NO.  |                     | OTHERWISE SPECIFIED: | $0.00 \pm 0.1$   |       |  |
|           |                     |                      | $0.000 \pm 0.05$ |       |  |