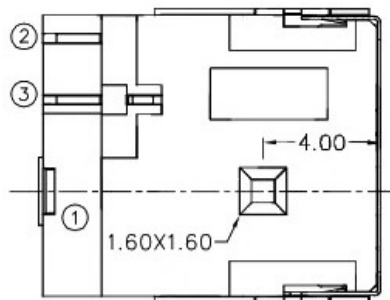
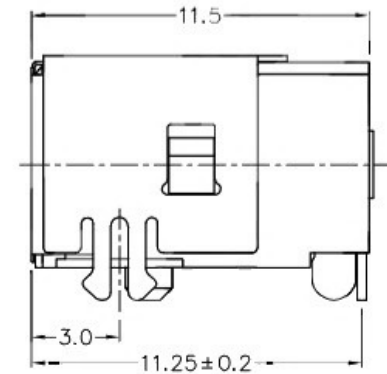
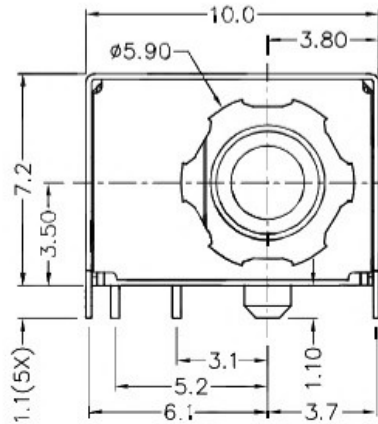
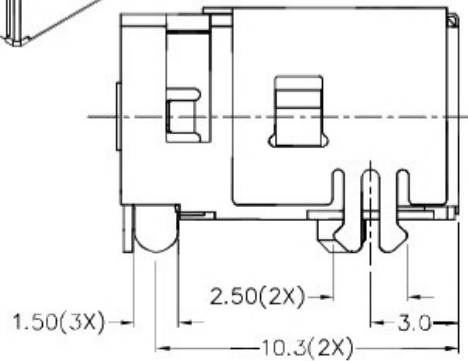


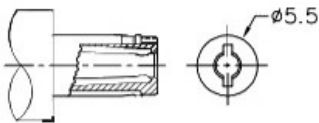
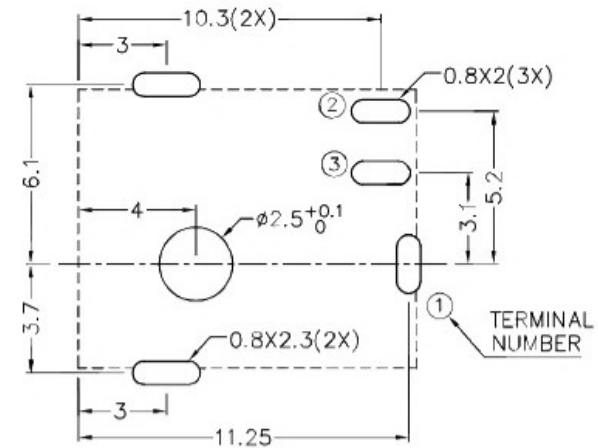
RoHS
Compliant

ZONE	SYMBOL	REVISION	APPROVAL	DATE



* MATERIAL

CENTRE PIN : COPPER
 TERMINAL 1 : BRASS
 TERMINAL 2 : COPPER ALLOY
 TERMINAL 3 : BRASS
 SHIELD-A : BRASS
 SHIELD-B : STAINLESS STEEL
 HOUSING : HIGH TEMP. PLASTIC



DC MATE PLUG

SCHEMATIC	
	1
	3
	2
CENTER PIN	∅1.65mm
	∅2mm
	∅2.5mm

RECOMMENDED PCB LAYOUT
 TOLERANCE: ±0.05
 (TOP VIEW)

广东科斯达开关厂

DESIGN	H.L.TAN	DATE	29-4-2010	SCALE	4:1
DRAWING	J.H.ZHOU	DATE	20-9-2016	MATERIAL	*
CHECK	H.L.TAN	DATE	20-9-2016	DWG. NO.	tz\dc086HS-2-A/1.0
APPROVAL		DATE	20-9-2016	SHEET	
PART NAME	HIGH CURRENT DC POWER SOCKET		TOLERANCE UNLESS	0.0±0.2	
PART NO.			OTHERWISE SPECIFIED:	0.00±0.1 0.000±0.05	

F

E

D

C

B

A