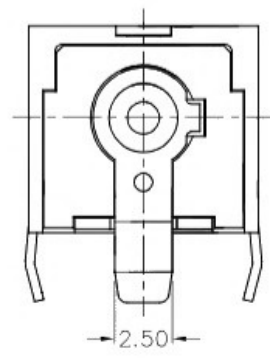
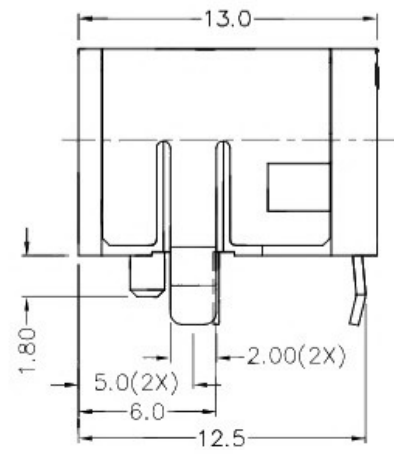
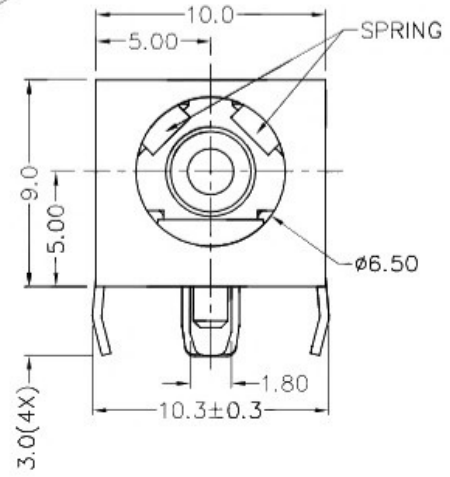
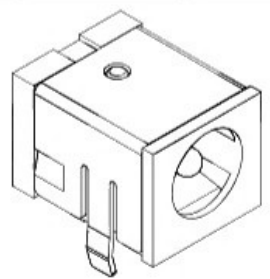


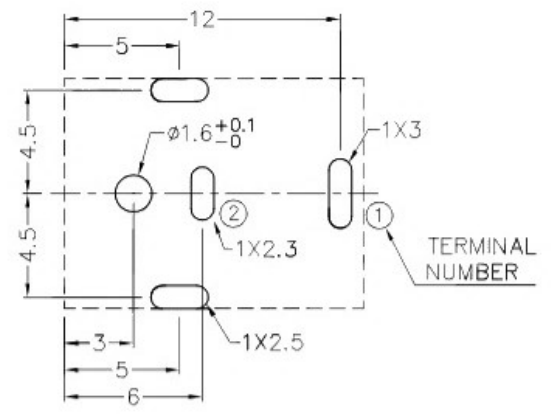
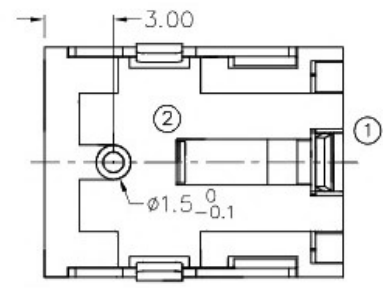
F E D C B A

ZONE	SYMBOL	REVISION	APPROVAL	DATE

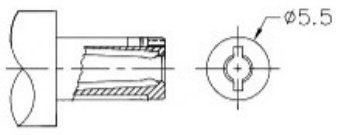


RoHS
Compliant

- * MATERIAL
- CENTRE PIN : COPPER
 - TERMINAL 1 : BRASS
 - TERMINAL 2 : COPPER ALLOY
 - SPRING : COPPER ALLOY
 - SHIELD : BRASS
 - HOUSING : THERMOPLASTIC
 - COVER : THERMOPLASTIC



RECOMMENDED PCB LAYOUT
TOLERANCE: ±0.05
(TOP VIEW)



DC MATE PLUG

SCHEMATIC		1
CENTER PIN		2
		φ2mm
		φ2.5mm

广东科斯达开关厂

DESIGN	T.Y.LI	DATE	20-8-2008	SCALE	3:1
DRAWING	J.H.ZHOU	DATE	27-10-2016	MATERIAL	*
CHECK	H.L.TAN	DATE	27-10-2016	DWG. NO.	TZ\DC078HS-B/1.0
APPROVAL		DATE		SHEET	

PART NAME	HIGH CURRENT DC POWER SOCKET	TOLERANCE UNLESS	0.0±0.2	UNIT:
PART NO.		OTHERWISE SPECIFIED:	0.00±0.1 0.000±0.05	

F E D C B A