

F

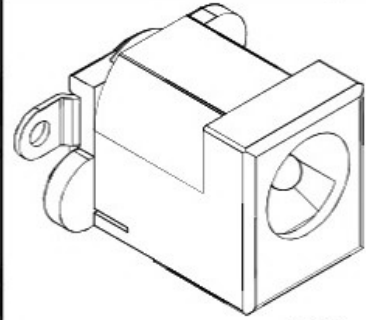
E

D

C

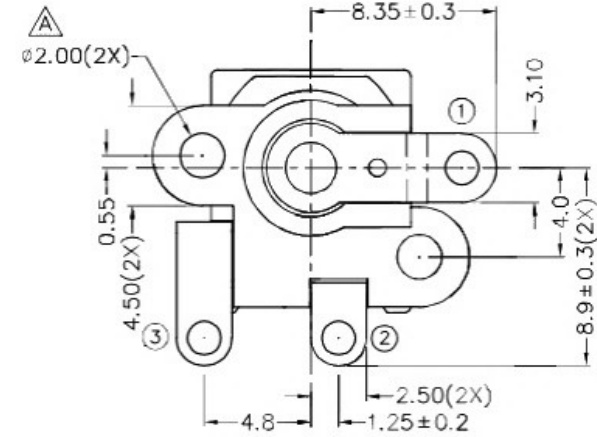
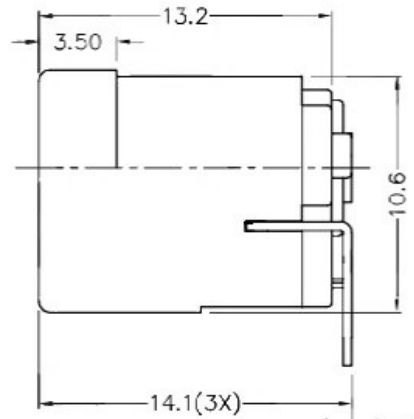
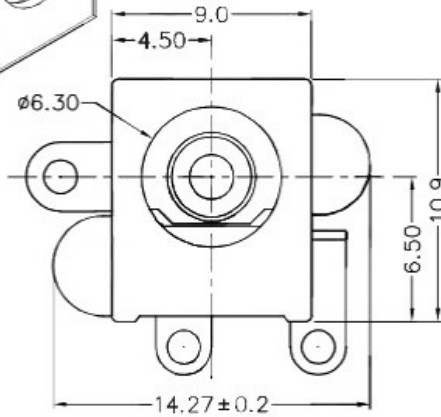
B

A



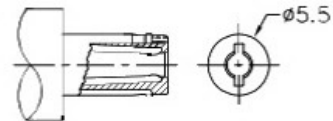
RoHS
Compliant

ZONE	SYMBOL	REVISION	APPROVAL	DATE
C1	△	UPDATE UNIT DECIMAL	J.X.KUANG	2-9-2016



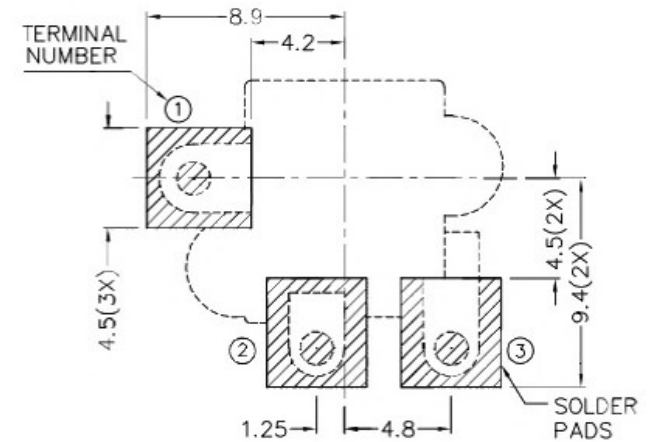
* MATERIAL

CENTRE PIN : COPPER
 TERMINAL 1 : BRASS
 TERMINAL 2 : COPPER ALLOY
 TERMINAL 3 : BRASS
 HOUSING : HIGH TEMP. PLASTIC
 COVER : HIGH TEMP. PLASTIC



DC MATE PLUG

SCHEMATIC	
CENTER PIN	ø2mm
	ø2.5mm



RECOMMENDED PCB LAYOUT
 TOLERANCE: ±0.05
 (TOP VIEW)

广东科斯达开关厂

DESIGN	G.P.YI	DATE	28-3-2008	SCALE	3:1
DRAWING	J.CH.OU	DATE	2-9-2016	MATERIAL	*
CHECK	T.Y.LI	DATE	2-9-2016	DWG. NO.	TZ\DC034DH2-A/1.1
APPROVAL		DATE	2-9-2016	SHEET	

PART NAME	HIGH CURRENT SMD DC POWER SOCKET	TOLERANCE UNLESS	0.0±0.2	UNIT:	
PART NO.		OTHERWISE SPECIFIED:	0.00±0.1 0.000±0.05	mm	

F

E

D

C

B

A