

F

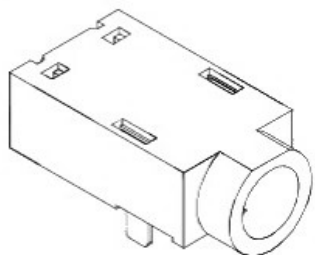
E

D

C

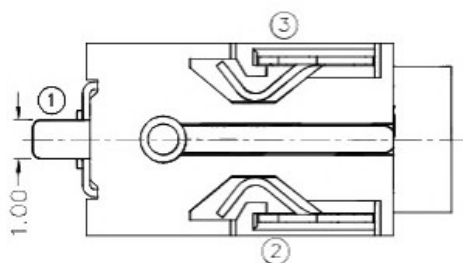
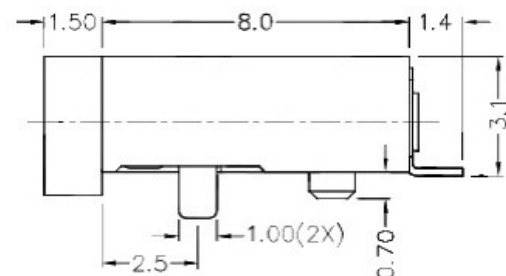
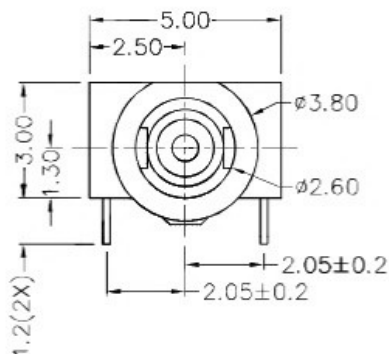
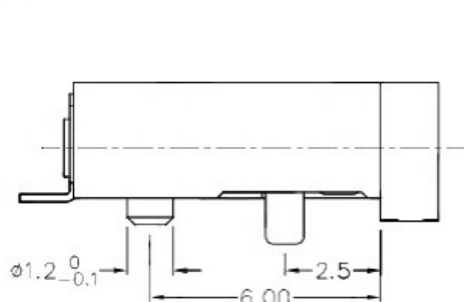
B

A



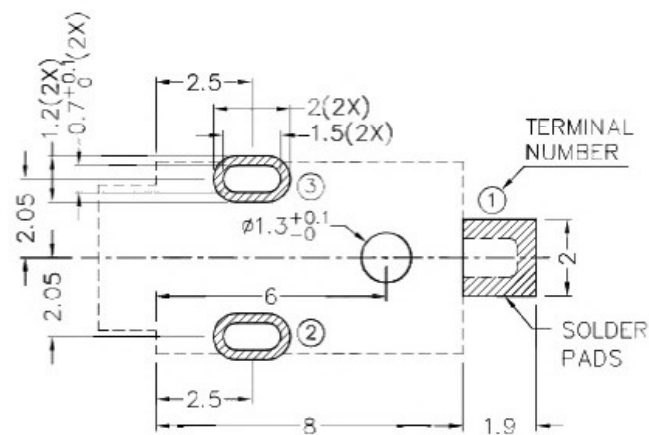
RoHS
Compliant

ZONE	SYMBOL	REVISION	APPROVAL	DATE
		ADJUST THE RECOMMENDED DC MATING PLUG	J.X.KUANG	8-10-2019



* MATERIAL

CENTRE PIN : COPPER
 TERMINAL 1 : BRASS
 TERMINAL 2 : COPPER ALLOY
 TERMINAL 3 : COPPER ALLOY
 HOUSING : HIGH TEMP. PLASTIC



RECOMMENDED PCB LAYOUT
 TOLERANCE: ± 0.05
 (TOP VIEW)

SCHEMATIC	
CENTER PIN	$\phi 0.650\text{mm}$



RECOMMENDED
 DC MATING PLUG

广东科斯达开关厂

PART NAME	SMD DC POWER SOCKET	TOLFRANCE UNLESS	0.0 ± 0.2	UNIT:	
PART NO.		OTHERWISE SPECIFIED:	0.00 ± 0.1 0.000 ± 0.05	mm	

DESIGN	T.Y.LI	DATE	22-9-2005	SCALE	5:1
DRAWING	H.Q.ZHOU	DATE	8-10-2019	MATERIAL	*
CHK/CK	H.L.TAN	DATE	8-10-2019	DWG. NO.	TZ\DC064D-3-A/1.1
APPROVAL		DATE		SHEET	

F

E

D

C

B

A