

F

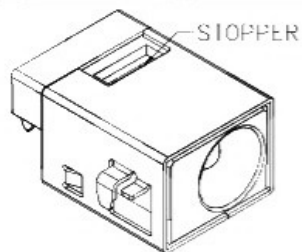
E

D

C

B

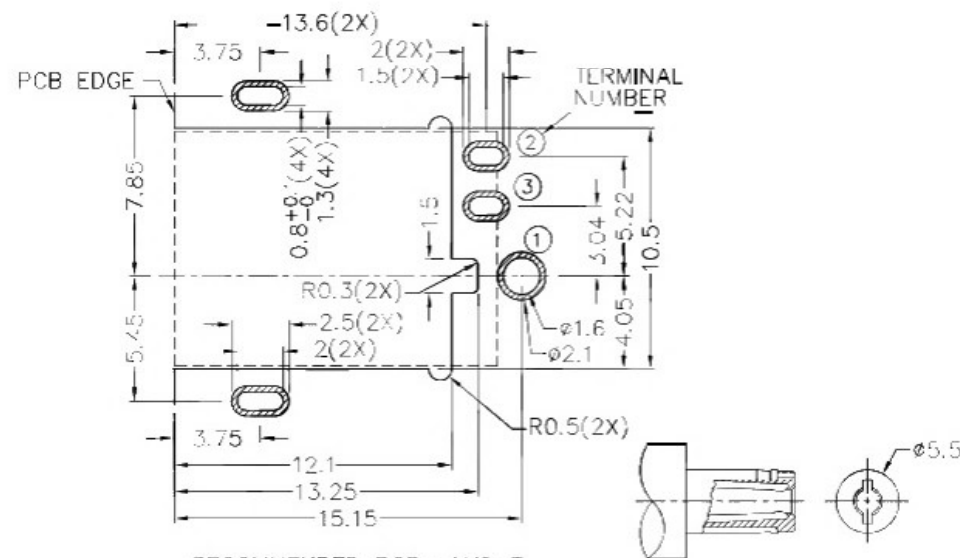
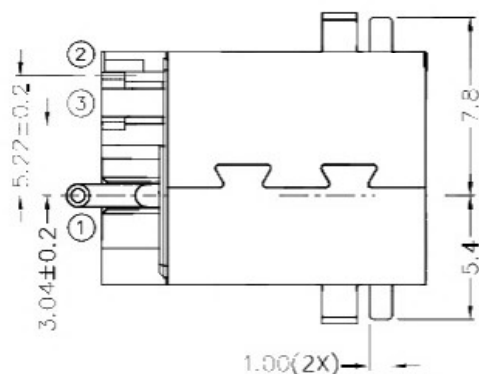
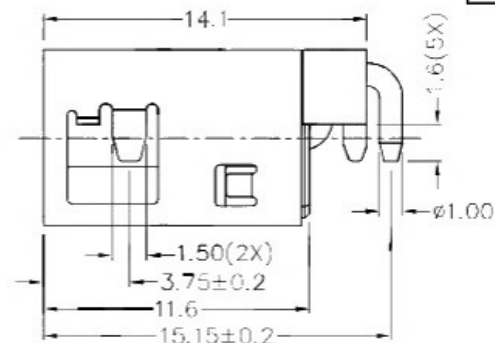
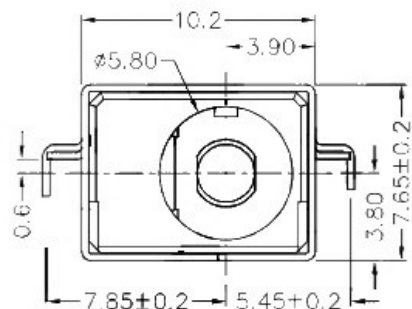
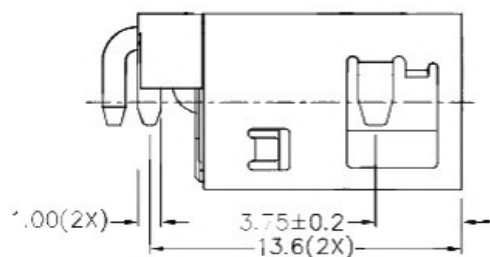
A



STOPPER

| ZONE | SYMBOL | REVISION | APPROVAL | DATE |
|------|--------|------------------------|-----------|-----------|
| | | PCB DIMENSION MODIFIED | J.X.KUANG | 27-9-2019 |
| | | | | |

RoHS
Compliant



* MATERIAL

TERMINAL 1 : BRASS
 TERMINAL 2 : COPPER ALLOY
 TERMINAL 3 : BRASS
 SHIELD : BRASS
 SPRING : STAINLESS STEEL
 STOPPER : C.R.STEEL
 HOUSING : HIGH TEMP. PLASTIC

| SCHEMATIC | |
|------------|---------------------------|
| | 1 |
| | 3 |
| | 2 |
| CENTER PIN | $\phi 2.5^{+0}_{-0.1}$ mm |

RECOMMENDED PCB LAYOUT
TOLERANCE: ± 0.05
(TOP VIEW)

RECOMMENDED
DC MATING PLUG

广东科斯达开关厂

| | | | | |
|-----------|----------------------------------|----------------------|------------------------------------|-------|
| PART NAME | HIGH CURRENT SMD DC POWER SOCKET | TOLERANCE UNLESS | 0.0 ± 0.2 | UNIT: |
| PART NO. | | OTHERWISE SPECIFIED: | 0.00 ± 0.1 0.000 ± 0.05 | |

| | | | | | |
|----------|----------|------|------------|----------|------------------|
| DESIGN | CH.XIONG | DATE | 15-10-2012 | SCALE | 3:1 |
| DRAWING | J.H.ZHOU | DATE | 27-9-2019 | MATERIAL | * |
| CHECK | T.Y.LI | DATE | 27-9-2019 | DWG. NO. | Z\DC107DHS-A/1.2 |
| APPROVAL | | DATE | | SHEET | |

F

E

D

C

B

A