

F

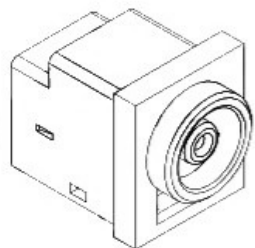
E

D

C

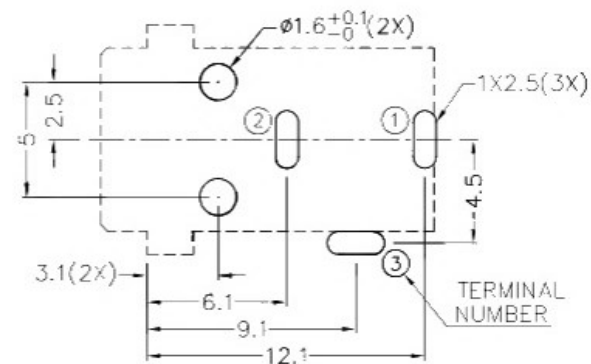
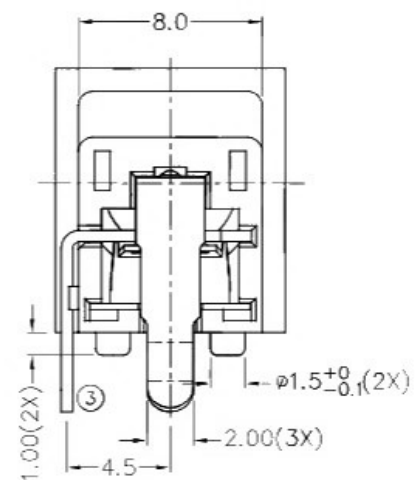
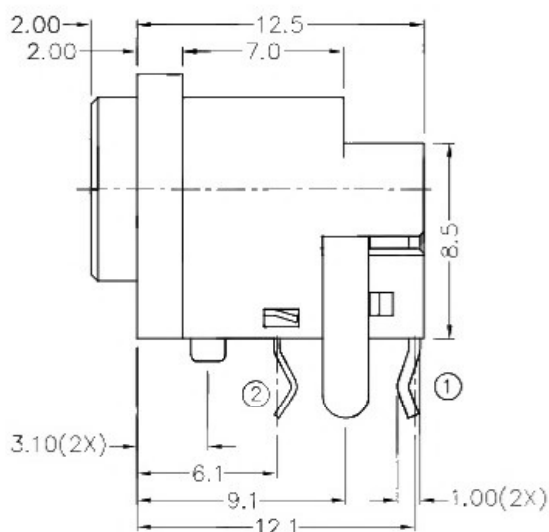
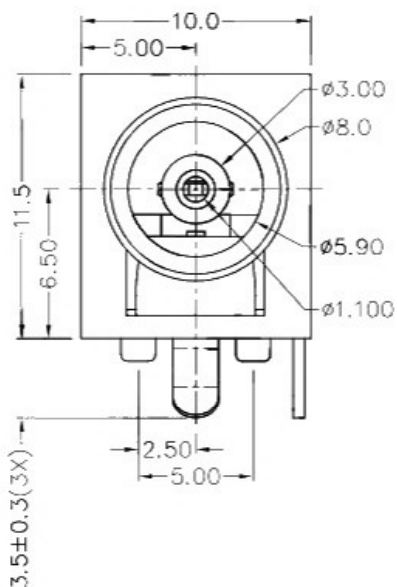
B

A



RoHS  
Compliant

ZONE	SYMBOL	REVISION	APPROVAL	DATE

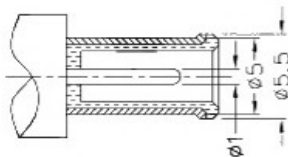
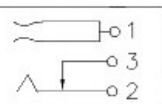


RECOMMENDED PCB LAYOUT  
TOLERANCE: ±0.05  
(TOP VIEW)


\* MATERIAL


TERMINAL 1 : BRASS  
TERMINAL 2 : COPPER ALLOY  
TERMINAL 3 : BRASS  
HOUSING : THERMOPLASTIC

SCHEMATIC



DC MATE PLUG

 广东科斯达开关厂

PART NAME	DC POWER SOCKET	TOLERANCE UNLESS	0.0±0.2	UNIT: 
PART NO.		OTHERWISE SPECIFIED:	0.00±0.1 0.000±0.05	

DESIGN	J.X.KUANG	DATE	10-8-2004	SCALE	3:1
DRAWING	T.Y.LI	DATE	7-11-2016	MATERIAL	*
CHECK	H.L.TAN	DATE	7-11-2016	DWG. NO.	TZ\DC058-2-B/1.0
APPROVAL		DATE		SHEET	

F

E

D

C

B

A