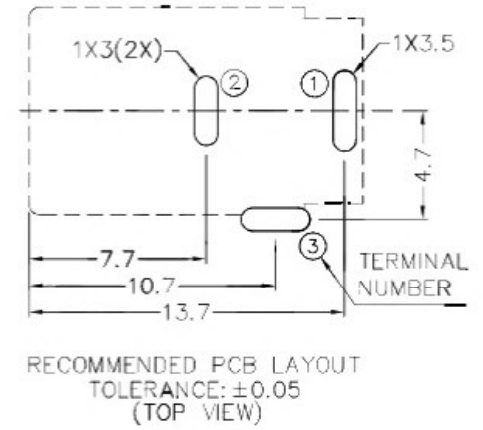
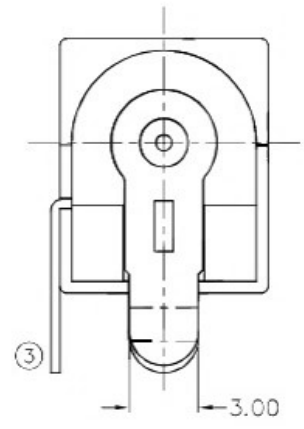
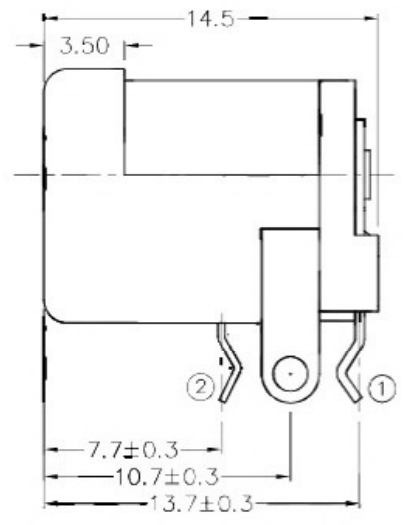
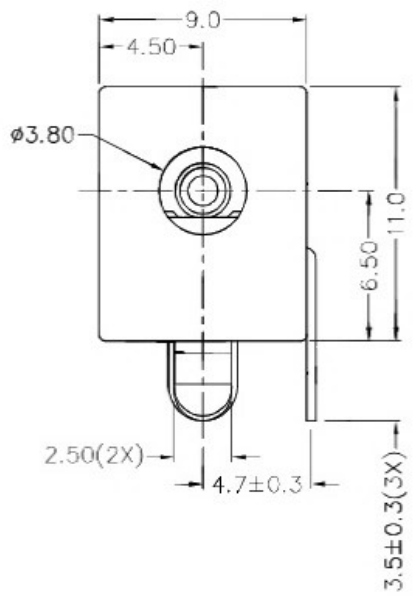
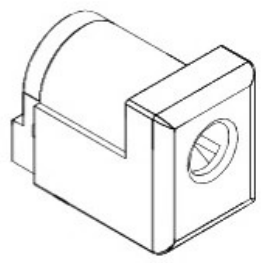


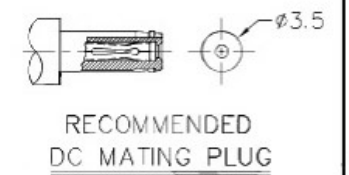
ZONE	SYMBOL	REVISION	APPROVAL	DATE
		ADJUST THE RECOMMENDED DC	J.X.KUANG	8-10-2019
		MATING PLUG		

RoHS  
Compliant



MODEL NO.	
SCHEMATIC	
CENTER PIN	ø1.000mm
	ø1.300mm

\* MATERIAL  
 CENTRE PIN : COPPER  
 TERMINAL 1 : BRASS  
 TERMINAL 2 : COPPER ALLOY  
 TERMINAL 3 : BRASS  
 HOUSING : THERMOPLASTIC  
 COVER : THERMOPLASTIC



广东科斯达开关厂

DESIGN	J.X.KUANG	DATE	9-10-2003	SCALE	3:1
DRAWING	H.Q.ZHOU	DATE	8-10-2019	MATERIAL	*
CHECK	T.Y.LI	DATE	8-10-2019	DWG. NO.	TZ\DC014-2-B/1.1
APPROVAL		DATE		SHEET	

PART NAME	DC POWER SOCKET	TOLERANCE UNLESS	0.0±0.2	UNIT:
PART NO.		OTHERWISE SPECIFIED:	0.00±0.1 0.000±0.05	