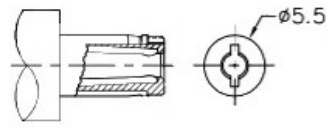
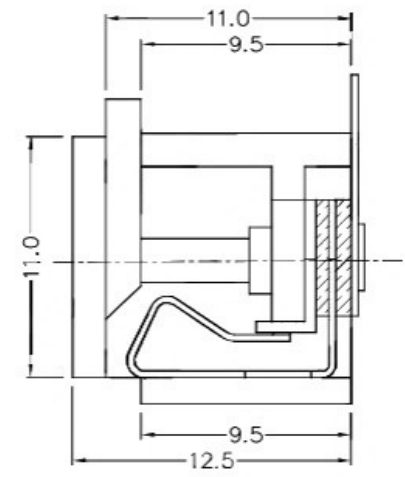
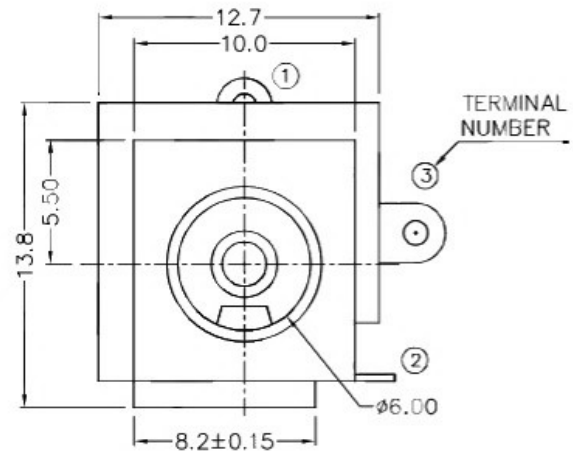
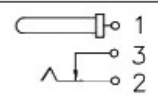


ZONE	SYMBOL	REVISION	APPROVAL	DATE

RoHS
Compliant


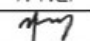


DC MATE PLUG

MODEL NO.	
SCHEMATIC	
CENTER PIN	φ2mm
	φ2.35mm
	φ2.5mm

* MATERIAL
 CENTRE PIN : COPPER
 TERMINAL 1 : BRASS
 TERMINAL 2 : COPPER ALLOY
 TERMINAL 3 : BRASS
 INSULATOR : THERMOPLASTIC
 HOUSING : THERMOPLASTIC

 **广东科斯达开关厂**

PART NAME	DC POWER SOCKET	TOLERANCE UNLESS 0.0±0.2 0.00±0.1 OTHERWISE SPECIFIED: 0.000±0.05	UNIT: 	DESIGN	K.Y.AU-YEUNG	DATE	8-10-2003	SCALE	3:1
				DRAWING	L.L.ZHANG	DATE	13-9-2016	MATERIAL	*
PART NO.				CHECK	T.Y.LI	DATE	13-9-2016	DWG. NO.	TZ\DC004-B/1.0
				APPROVAL		DATE	13-9-2016	SHEET	

F E D C B A